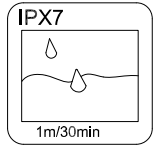
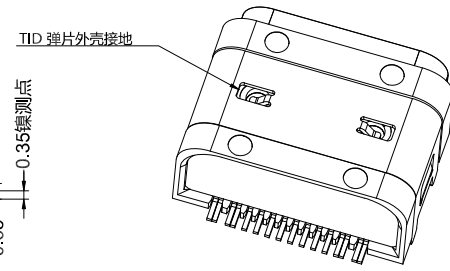
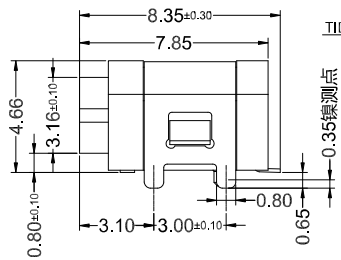
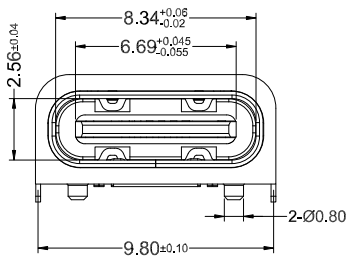
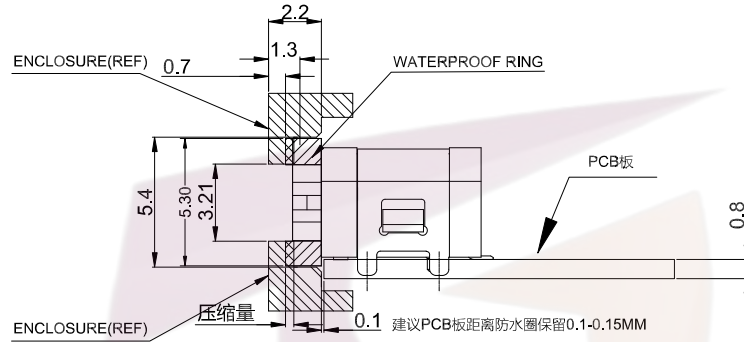
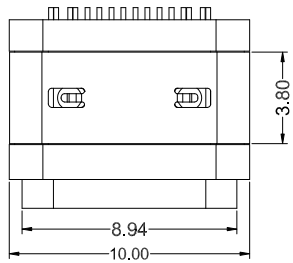


RoHS  
Compliant

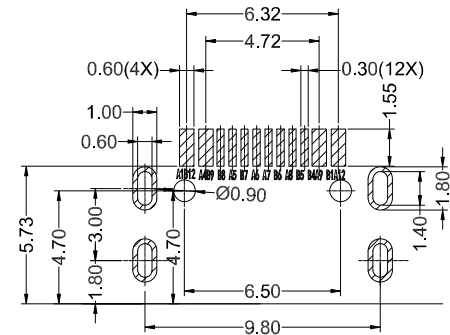


**SPECIFICATION:**

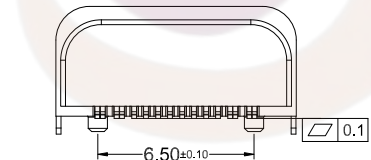
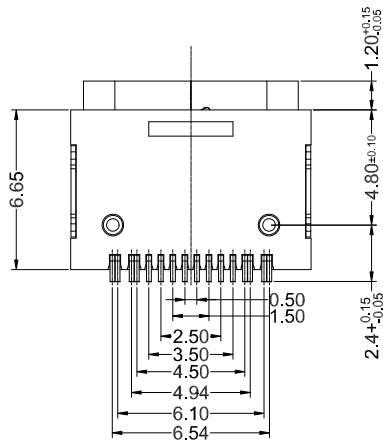
1. CURRENT RATING: 5.0 A
2. VOLTAGE RATING: 5.0 V
3. VBUS & GND PINS AND OTHER PINS: 40mΩ/PIN MAX  
SHIELD: 50mΩ/MAX  
LLCR MAX. CHANGE OF ALL PINS: 10mΩ
4. INSULATION RESISTANCE: 100MΩ MIN
5. DIELECTRIC WITHSTAND VOLTAGE, AC 100V FOR 1MINUTE
6. INSERTION FORCE: 0.5-2.0kgf
7. UNMATING FORCE: 0.8-2.0kgf
8. DURABILITY: 10000 CYCLES
9. OPERATING TEMPERATURE: -25°C~+85°C
10. THE PEAK TEMPERATURE ON THE BOARD SHALL BE MAINTAINED FOR 10 SECONDS AT 260°C
11. WATERPROOF: IPX7



RECOMMENDED ASSEMBLY DRAWING



RECOMMENDED PCB LAYOUT  
TOLERANCE: ±0.05



A1	A2	A3	A4	A5	A6	A7	A8	A9	A10	A11	A12	1	SHELL	STAINLESS STEEL	SUS304 NI PLATED
GND			VBUS	CC1	D+	D-	SBU1	VBUS			GND	1	SHEATH	HIGH TEMPERATURE PLASTIC	PA46 BLACK UL 94 V-0
B12	B11	B10	B9	B8	B7	B6	B5	B4	B3	B2	B1	2	MID PLATE	STAINLESS STEEL	SUS301 NO PLATED
GND			VBUS	SBU2	D-	D+	CC2	VBUS			GND	3	HOUSING	HIGH TEMPERATURE PLASTIC	LCP BLACK UL 94 V-0
												4	CONTACT	COPPER ALLOY(C7025)	Au PLATING ON CONTACT AREA
												5	WATERPROOF RING	SILICA GEL	/
												NO.	PARTS	MATERIAL	REMARKS

Guangdong Tengjun Electronic Technology Co., Ltd

Website:

<https://www.tengjunconn.com>

TEL:

0769-23323869



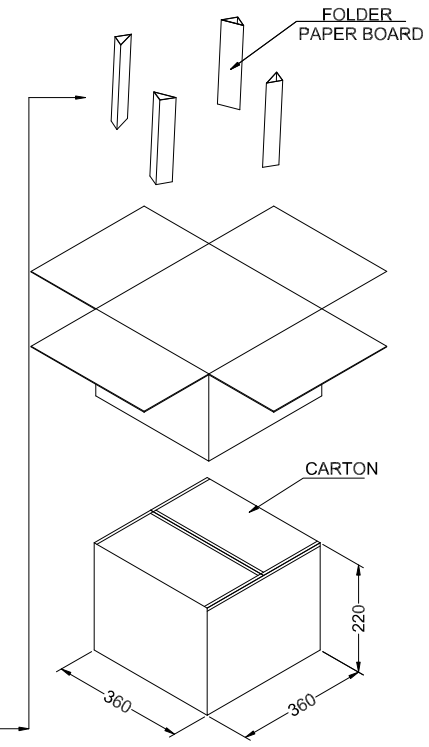
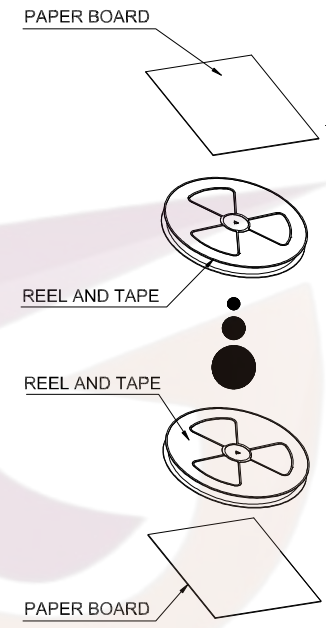
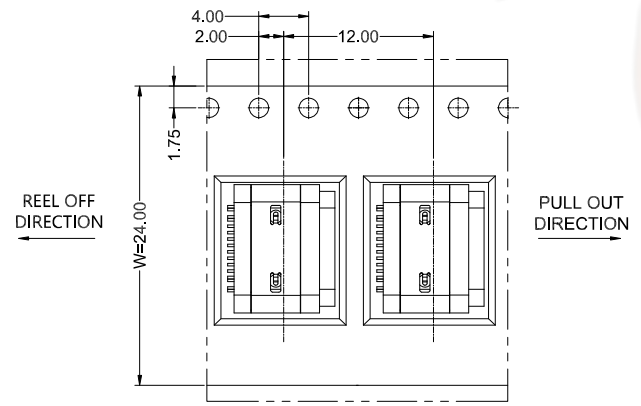
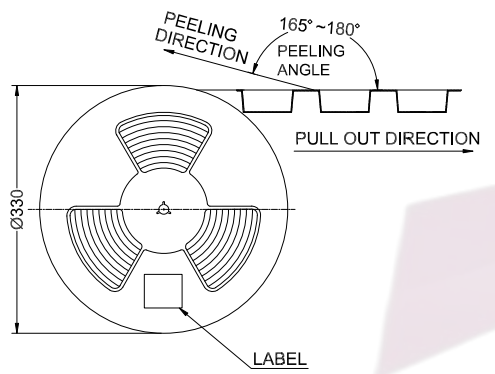
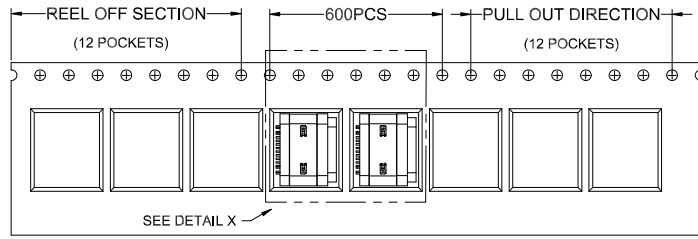
PART NAME  
**Type-C 16pin  
Waterproof type socket SMT**

PART NO.  
**TJYWT168677**

TOLERANCE UNLESS OTHERWISE SPECIFIED:  
X ±0.2  
X.X ±0.15  
X.XX ±0.10  
X.XXX ±0.050

DRAWING:	Li	DATE:	2019.11.12	SCALE	SHEET	REV:	A0
CHECK:	Chen	DATE:	2019.11.12	1:1	1/2	SIZE:	A4
APPROVAL:	Yuan	DATE:	2019.11.12				

RoHS  
Compliant



	REEL	CARTON
CONNECTOR (PCS)	600	4200

Guangdong Tengjun Electronic Technology Co., Ltd

Website:

<https://www.tengjunconn.com>

TEL:

0769-23323869



PART NAME	Type-C 16pin Waterproof type socket SMT
PART NO.	TJYWT168677

TOLERANCE UNLESS OTHERWISE SPECIFIED:	
X	±0.2
X.X	±0.15
X.XX	±0.10
X.XXX	±0.050

DRAWING:	Li	DATE:	2019.11.12	SCALE	SHEET	REV:A0
CHECK:	Chen	DATE:	2019.11.12	1:1	2/2	SIZE: A4
APPROVAL:	Yuan	DATE:	2019.11.12			