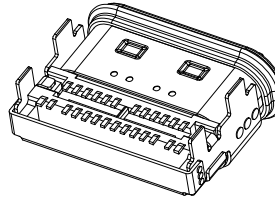
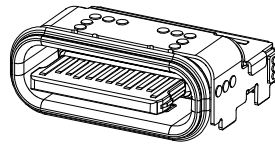
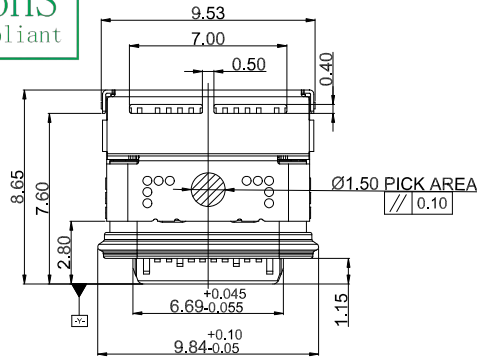


RoHS
Compliant



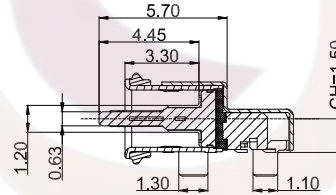
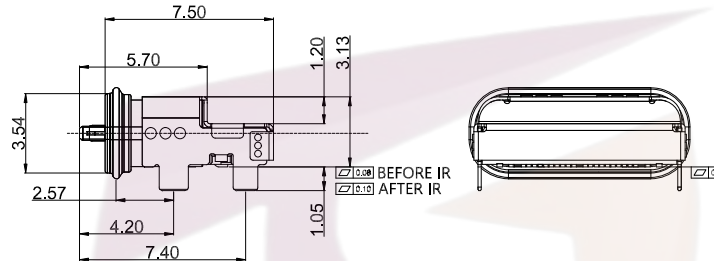
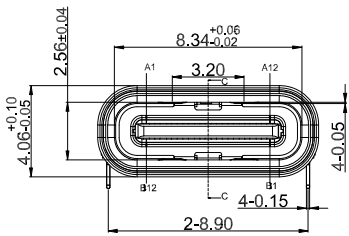
Ordering information:

TJ 13 24 LS W 00 0750 B 7
(1) (2) (3) (4) (5) (6) (7) (8) (9)

- (1): Manufacturer TJ= TENGJUN
- (2): line number
- (3): Pin Number
- (4): H=立式 L=卧式 F=沉板 C=侧式
D=插件 S=贴板 W=焊线
- (5) shape: P=平口, W=舌片外露
- (6) 定位柱: 1=带柱, 0=无柱
1=带弹, 0=无弹
- (7) 0750=7.5mm (L/H)
- (8) 胶芯颜色: 黑=B, 红=R, 绿=G, 蓝=L, 黄=Y, 橙=O, 粉=P
- (9) Waterproof : 7=IPX7, 8=IPX8, 0=not waterproof
- (10) 板上中心高度CH=1.5

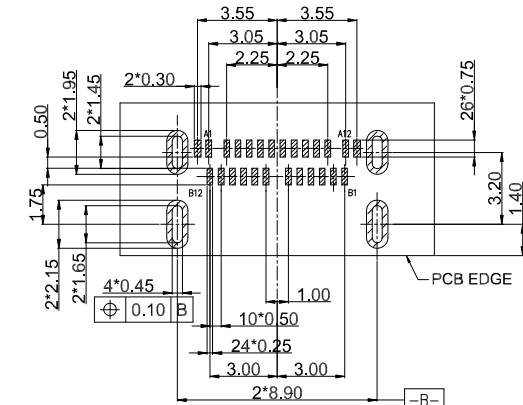
SPECIFICATION:

- 1. CURRENT RATING: 5.0 A (max)
- 2. VOLTAGE RATING: 20.0 V (max)
- 3. VBUS & GND PINS AND OTHER PINS: 40mΩ/PIN MAX SHIELD: 50mΩ/MAX
LLCR MAX. CHANGE OF ALL PINS: 10mΩ
- 4. INSULATION RESISTANCE: 100MΩ MIN
- 5. DIELECTRIC WITHSTAND VOLTAGE, AC 100V FOR 1MINUTE
- 6. INSERTION FORCE: 0.5~2.0kgf
- 7. UNMATING FORCE: 0.8~2.0kgf
- 8. DURABILITY: 10000 CYCLES
- 9. OPERATING TEMPERATURE: -25°C~+85°C
- 10. THE PEAK TEMPERATURE ON THE BOARD SHALL BE MAINTAINED FOR 10 SECONDS AT 260°C
- 11. WATERPROOF CLASS: IP67

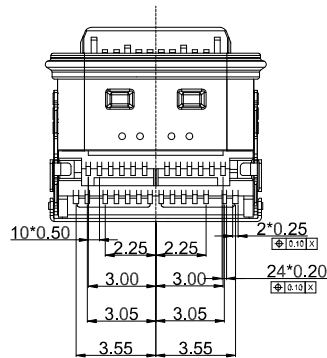


SECTION C-C (SCALE 1:1)

A1	A2	A3	A4	A5	A6	A7	A8	A9	A10	A11	A12
GND	SSTXP1	SSTXN1	VBUS	CC1	D+	D-	SBU1	VBUS	SSRXN2	SSRXP2	GND
B12	B11	B10	B9	B8	B7	B6	B5	B4	B3	B2	B1
GND	SSRXP1	SSRXN1	VBUS	SBU2	D-	D+	CC2	VBUS	SSTXN2	SSTXP2	GND



RECOMMENDED PCB LAYOUT
(Tolerance=±0.05)



8	LIM	CHN-LIMS	BLACK
7	SMALL SHELL	SUS316	NI PLATED 50u" MIN
6	MAIN SHELL	SUS316	NI PLATED 50u" MIN
5	OUTOR SHELL	SUS304	SOLDER NICKEL: 30u" MIN
4	MID PLATE	SUS304	FT:50u" MIN NICKEL: 30u" MIN
3	BOTTOM TERMINAL	COPPER ALLOY	MATING AREA: Au15u"MIN SOLDER TAIL: Au 5u" 50-150u" NICKEL OVERALL.
2	TOP TERMINAL	COPPER ALLOY	MATING AREA: Au 15u"MIN SOLDER TAIL: Au 5u" 50-150u" NICKEL OVERALL.
1	MOLDING HOUSING	HIGH TEMPERATURE PLASTIC	BLACK
NO.	PARTS	MATERIAL	REMARKS

Guangdong Tengjun Electronic Technology Co., Ltd

Website:

<https://www.tengjunconn.com>

TEL:

0769-23323869



PART NAME
Conn USB3.1 C TYPE Female 24P
CH=1.5 双贴 防水 脚长1.05无凸点

PART NO. TJ1324LSW000750B7B

TOLERANCE UNLESS SPECIFIED:
OTHERWISE:
X ±0.2
X.X ±0.15
X.XX ±0.10
X.XXX ±0.050

DRAWING:

Li

DATE:

2022.09.18

SCALE

SHEET

REV:A0

CHECK:

Chen

DATE:

2022.09.18

1:1

1/3

SIZE: A4

APPROVAL:

Yuan

DATE:

2022.09.18



F

E

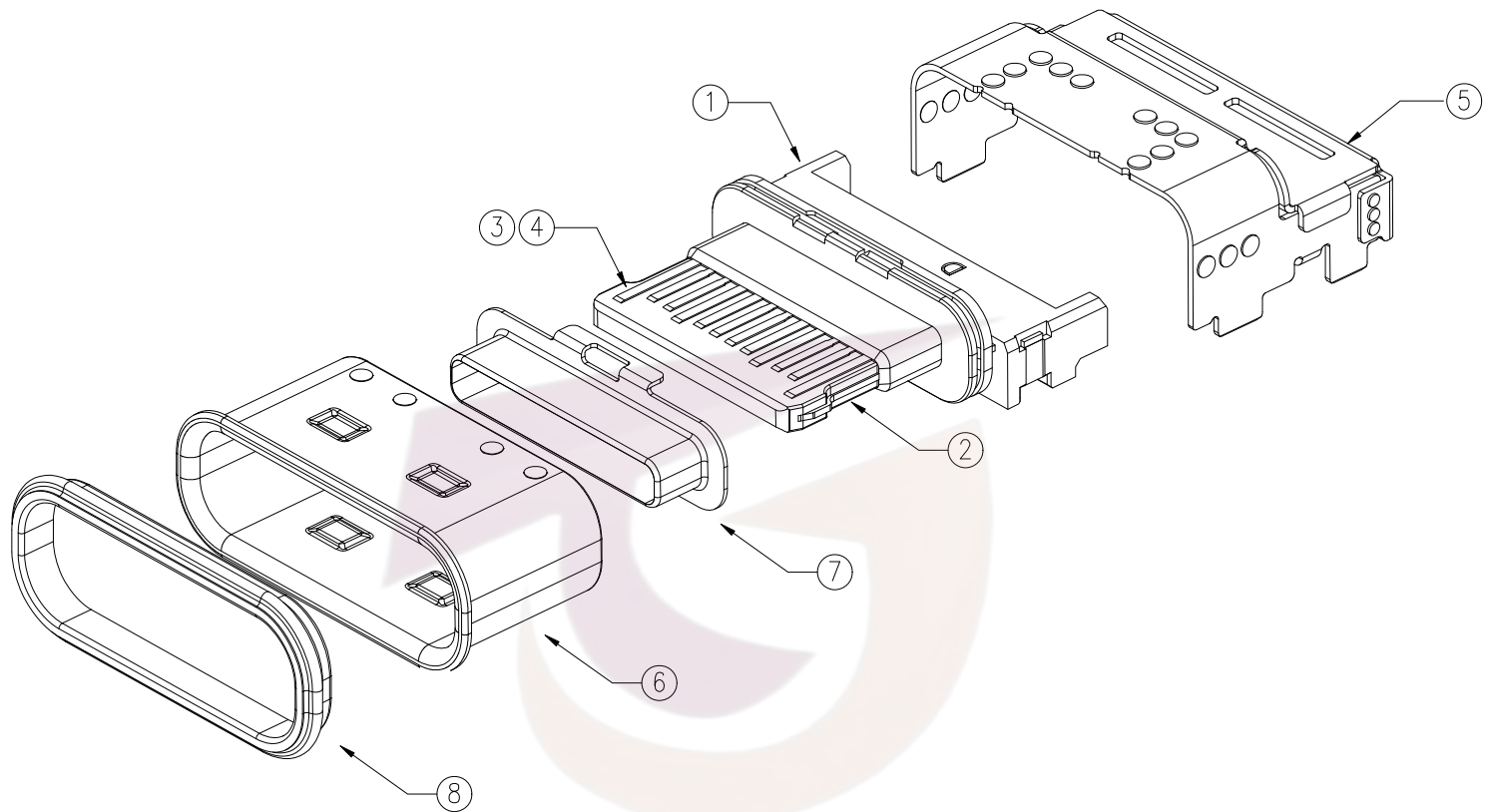
D

C

B

A

RoHS
Compliant



Explode View

Guangdong Tengjun Electronic Technology Co., Ltd

Website:

<https://www.tengjunconn.com>

TEL:

0769-23323869



PART NAME
Conn USB3.1 C TYPE Female 24P
CH=1.5 双贴 防水 脚长1.05无凸点

PART NO. TJ1324LSW000750B7B

TOLERANCE UNLESS OTHERWISE SPECIFIED:
X ±0.2
X.X ±0.15
X.XX ±0.10
X.XXX ±0.050

DRAWING:

Li

DATE:

2022.09.18

SCALE

SHEET

REV:A0

CHECK:

Chen

DATE:

2022.09.18

1:1

2/3

SIZE: A4

APPROVAL:

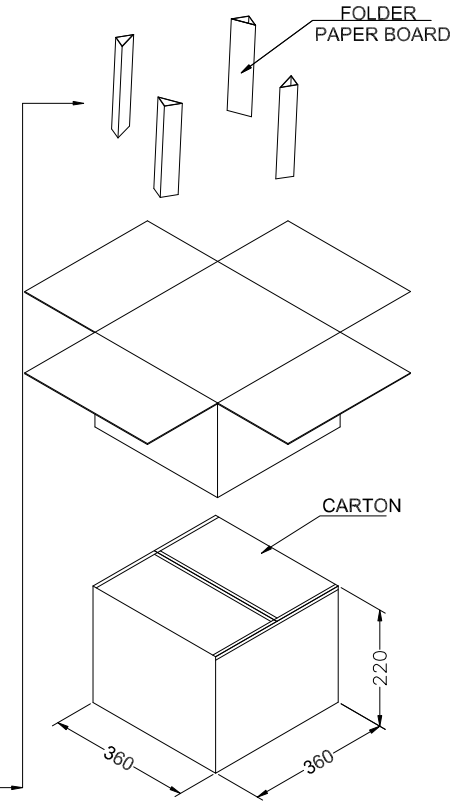
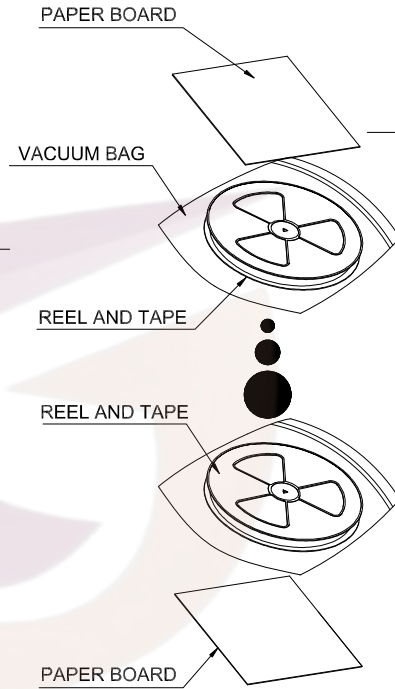
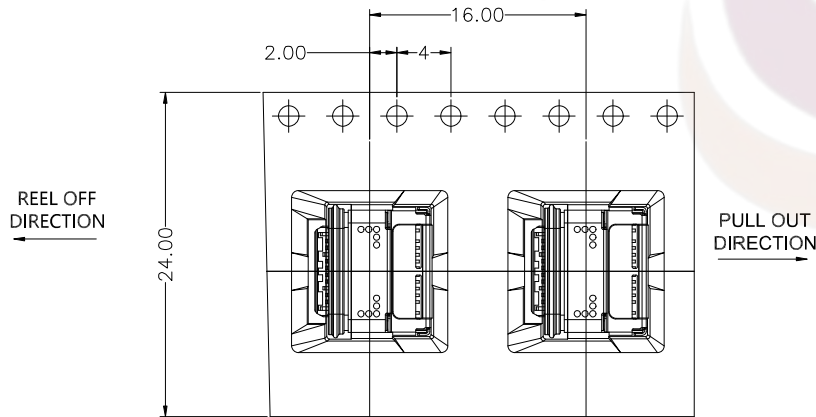
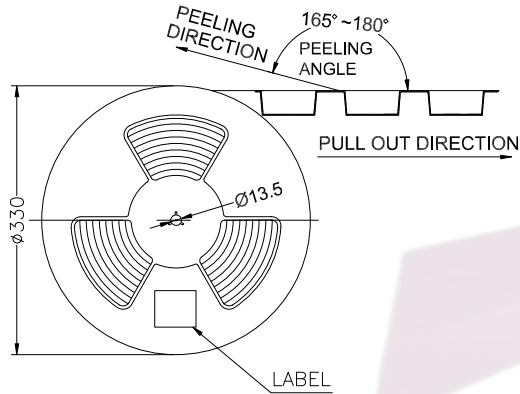
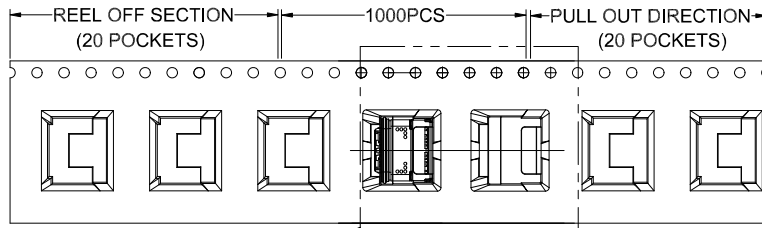
Yuan

DATE:

2022.09.18



RoHS
Compliant



	REEL	CARTON
CONNECTOR (PCS)	1000	7000

Guangdong Tengjun Electronic Technology Co., Ltd

Website:

<https://www.tengjunconn.com>

TEL:

0769-23323869



PART NAME Conn USB3.1 C TYPE Female 24P
CH=1.5 双贴 防水 脚长1.05无凸点

PART NO. TJ1324LSW000750B7B

TOLERANCE UNLESS OTHERWISE SPECIFIED:
X ±0.2
X.X ±0.15
X.XX ±0.10
X.XXX ±0.050

DRAWING:

Li

DATE:

2022.09.18

SCALE

SHEET

REV:A0

CHECK:

Chen

DATE:

2022.09.18

1:1

3/3

SIZE: A4

APPROVAL:

Yuan

DATE:

2022.09.18



F

E

D

C

B

A