

RoHS
Compliant



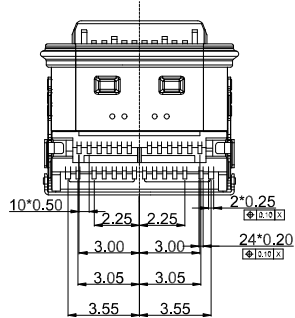
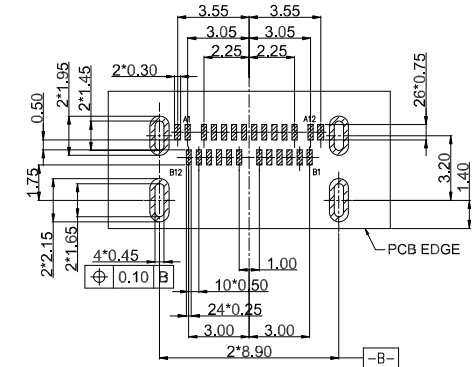
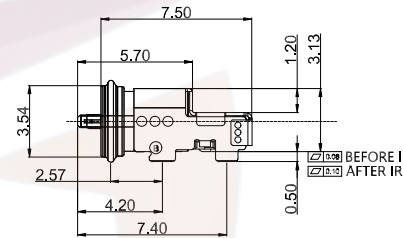
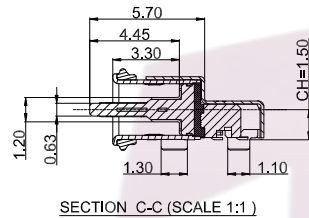
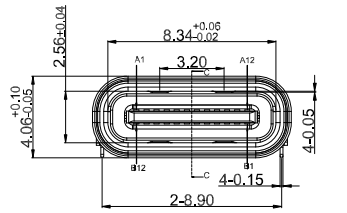
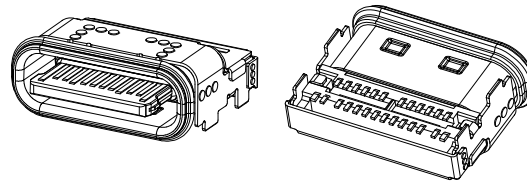
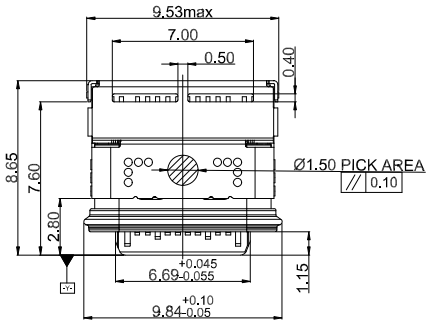
Ordering information:

TJ 13 24 LS W 00 0750 B 8
(1) (2) (3) (4) (5) (6) (7) (8) (9)

- (1): Manufacture rer TJ= TENGJUN
- (2): line numberr
- (3): Pin Number
- (4): H=立式 L=卧式 F=沉板 C=侧式
D=插件 S=贴板 W=焊线
- (5) shapet: P=平口, W=舌片外露
- (6) 定位柱: 1=带柱, 0=无柱
1=带弹, 0=无弹
- (7) 0750=7.5mm (L/H)
- (8) 胶芯颜色: 黑=B, 红=R, 绿=G, 蓝=L, 黄=Y, 橙=O, 粉=P
- (9) Waterproof : 7=IPX7, 8=IPX8, 0=not waterproof
- (10) 板上中心高度CH=1.5

SPECIFICATION:

- 1.CURRENT RATING: 5.0 A (max)
- 2.VOLTAGE RATING:20.0 V (max)
- 3.VBUS & GND PINS AND OTHER PINS: 40mΩ/PIN MAX
SHIELD: 50mΩ/MAX
LLCR MAX. CHANGE OF ALL PINS: 10mΩ
- 4.INSULATION RESISTANCE: 100MΩ MIN
- 5.DIELECTRIC WITHSTAND VOLTAGE,AC 100V FOR 1MINUTE
- 6.INSERTION FORCE: 0.5-2.0kgf
- 7.UNMATING FORCE: 0.8-2.0kgf
- 8.DURABILITY: 10000 CYCLES
- 9.OPERATING TEMPERATURE: -25°C~+85°C
- 10.THE PEAK TEMPERATURE ON THE BOARD SHALL
BE MAINTAINED FOR 10 SECONDS AT 260°C
- 11.WATERPROOF CLASS:IP68



A1	A2	A3	A4	A5	A6	A7	A8	A9	A10	A11	A12
GND	SSTXP1	SSTXN1	VBUS	CC1	D+	D-	SBU1	VBUS	SSRXN2	SSRXP2	GND
B12	B11	B10	B9	B8	B7	B6	B5	B4	B3	B2	B1
GND	SSRXP1	SSRXN1	VBUS	SBU2	D-	D+	CC2	VBUS	SSTXN2	SSTXP2	GND

8	LIM	CHN-LIMS	BLACK
7	SMALL SHELL	SUS316	NI PLATED 50u" MIN
6	MAIN SHELL	SUS316	NI PLATED 50u" MIN
5	OUTOR SHELL	SUS304	SOLDER NICKEL: 30u" MIN
4	MID PLATE	SUS304	FT:50u" MIN NICKEL: 30u" MIN
3	BOTTOM TERMINAL	COPPER ALLOY	MATING AREA: AUTO/70% SOLDER TAIL: 50u" MIN NICKEL OVERALL
2	TOP TERMINAL	COPPER ALLOY	MATING AREA: AUTO/70% SOLDER TAIL: 50u" MIN NICKEL OVERALL
1	MOLDING HOUSING	HIGH TEMPERATURE PLASTIC	BLACK
NO.	PARTS	MATERIAL	REMARKS

Guangdong Tengjun Electronic Technology Co., Ltd

Website:

<https://www.tengjunconn.com>

TEL:

0769-23323869

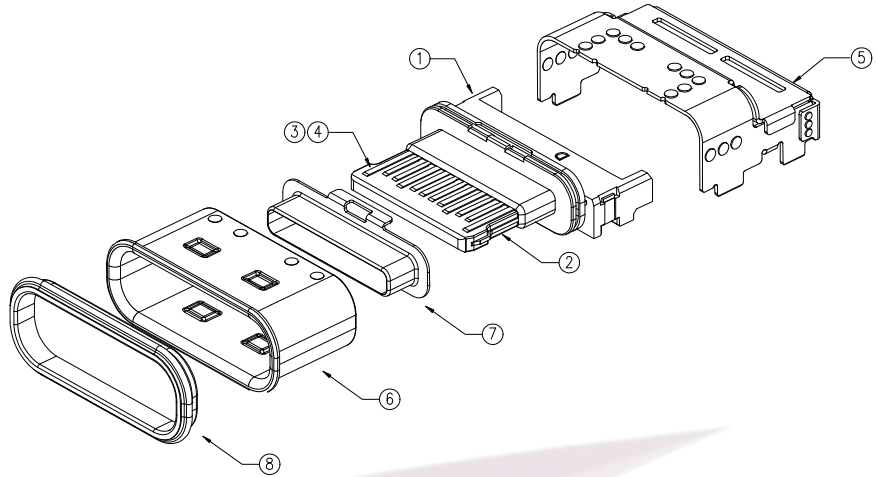


PART NAME	Conn USB3.1 C TYPE Female 24P CH=1.5 双贴 防水 (短脚无凸点)
PART NO.	TJ1324LSW000750B8

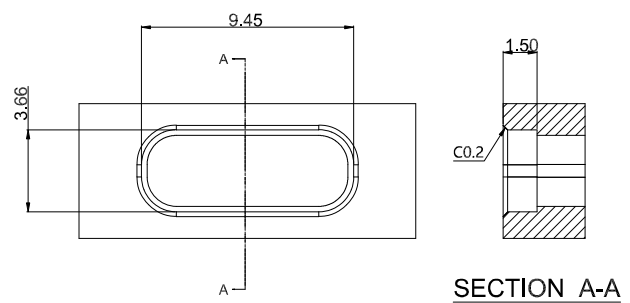
TOLERANCE UNLESS OTHERWISE SPECIFIED:
X ±0.2
X.X ±0.15
X.XX ±0.10
X.XXX ±0.050

DRAWING:	Li	DATE:	2022.09.18	SCALE	SHEET	REV:A0
CHECK:	Chen	DATE:	2022.09.18	1:1	1/3	SIZE: A4
APPROVAL:	Yuan	DATE:	2022.09.18			

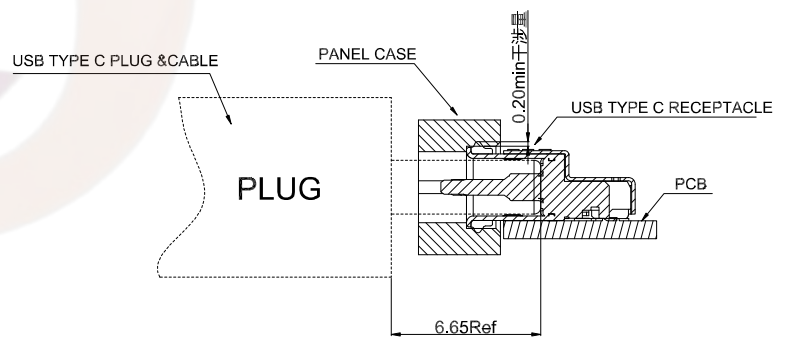
RoHS
Compliant



Explode View



PANEL CASE DIMENSIONS



RELATIVE POSITON FOR APPLICATION

Guangdong Tengjun Electronic Technology Co., Ltd Website: <https://www.tengjunconn.com> TEL: 0769-23323869

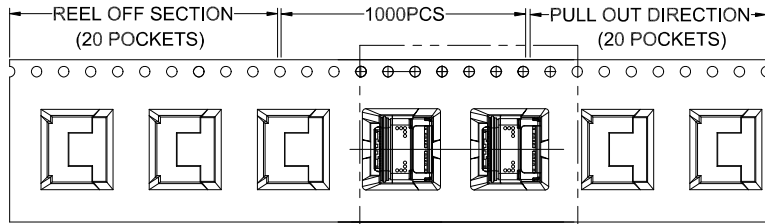


PART NAME	Conn USB3.1 C TYPE Female 24P CH=1.5 双贴 防水 (短脚无凸点)
PART NO.	TJ1324LSW000750B8

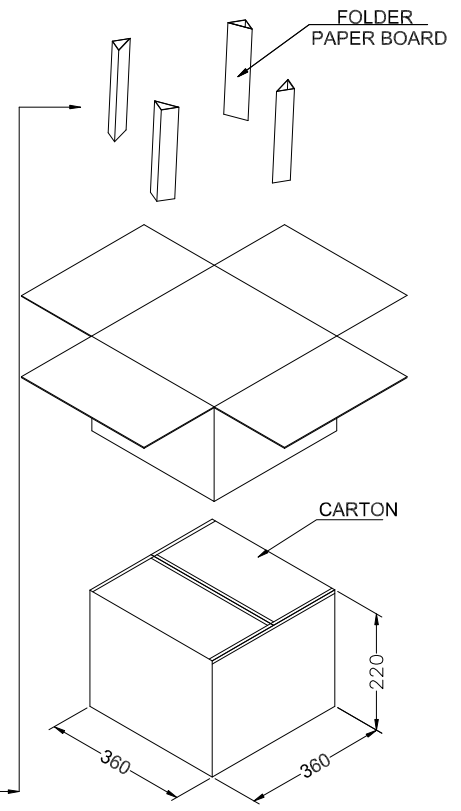
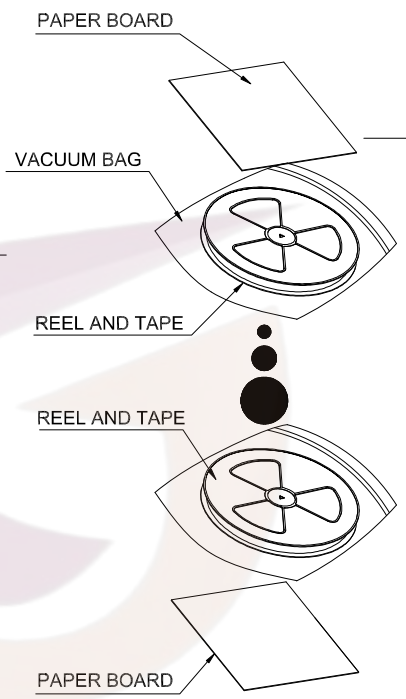
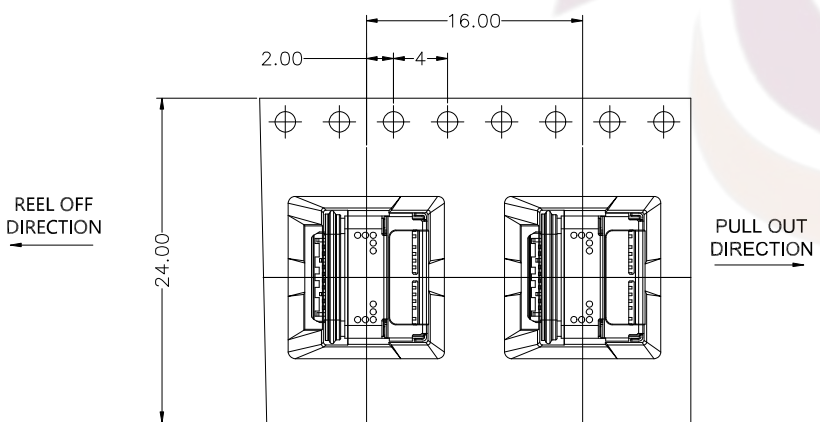
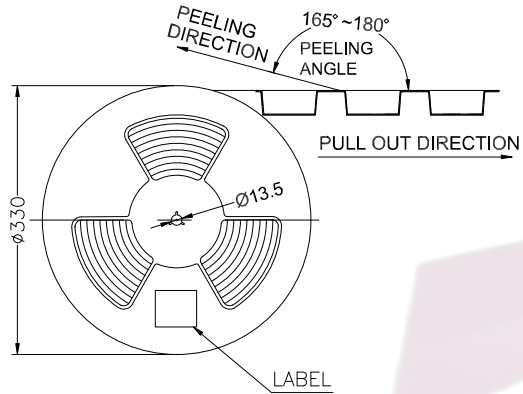
TOLERANCE OTHERWISE SPECIFIED:	
X	±0.2
X.X	±0.15
X.XX	±0.10
X.XXX	±0.050

DRAWING:	Li	DATE:	2022.09.18	SCALE	SHEET	REV:A0
CHECK:	Chen	DATE:	2022.09.18	1:1	2/3	SIZE: A4
APPROVAL:	Yuan	DATE:	2022.09.18			

RoHS
Compliant



SEE DETAIL X



	REEL	CARTON
CONNECTOR (PCS)	1000	7000

Guangdong Tengjun Electronic Technology Co., Ltd

Website:

<https://www.tengjunconn.com>

TEL:

0769-23323869



PART NAME	Conn USB3.1 C TYPE Female 24P CH=1.5 双贴 防水 (短脚无凸点)
PART NO.	TJ1324LSW000750B8

TOLERANCE UNLESS OTHERWISE SPECIFIED:	
X	±0.2
X.X	±0.15
X.XX	±0.10
X.XXX	±0.050

DRAWING:	Li	DATE:	2022.09.18	SCALE	SHEET	REV:A0
CHECK:	Chen	DATE:	2022.09.18	1:1	3/3	SIZE: A4
APPROVAL:	Yuan	DATE:	2022.09.18			