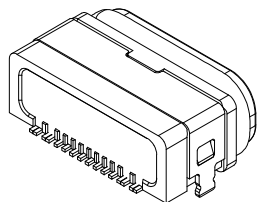
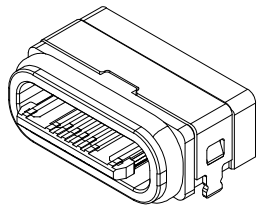
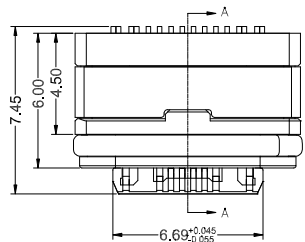


RoHS  
Compliant

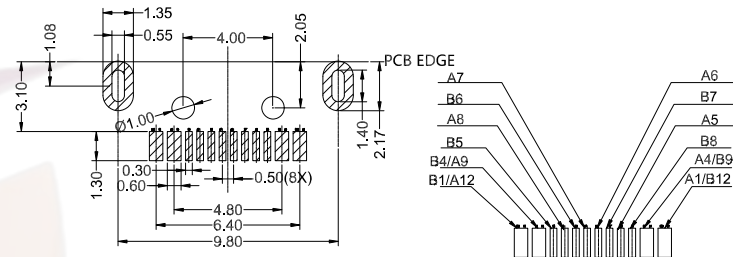
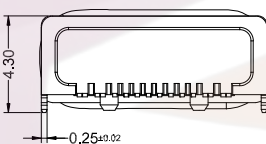
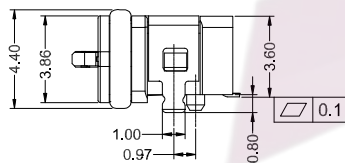
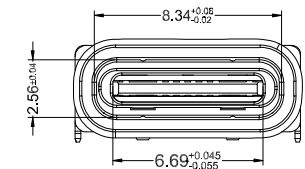


Ordering information:  
TJ 13 16 LS W 10 0745 B 7  
(1) (2) (3) (4) (5) (6) (7) (8) (9)

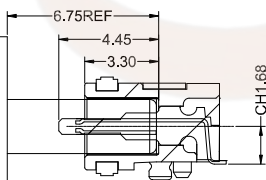
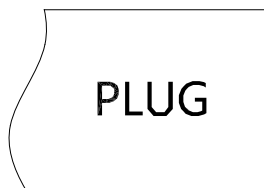
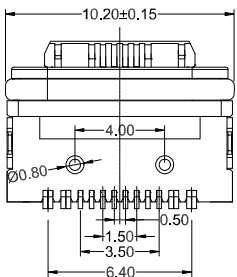
- (1): Manufacture TJ= TENGJUN
- (2): line number
- (3): Pin Number
- (4): H=立式 L=卧式 F=沉板 C=侧式  
D=插件 S=贴板 W=焊线
- (5) shapet: P=平口, W=舌片外露
- (6) 定位柱: 1=带柱, 0=无柱  
1=带弹, 0=无弹
- (7) 0745=7.45mm (L/H)
- (8) 胶芯颜色: 黑=B, 红=R, 绿=G, 蓝=L, 黄=Y, 橙=O, 粉=P
- (9) Waterproof: 7=IPX7, 8=IPX8, 0=not waterproof
- (10) 板上中心高度 CH=\*\*

**SPECIFICATION:**

1. CURRENT RATING: 5.0 A
2. VOLTAGE RATING: 5.0 V
3. VBUS & GND PINS AND OTHER PINS: 40mΩ/PIN MAX  
SHIELD: 50mΩ/MAX  
LLCR MAX. CHANGE OF ALL PINS: 10mΩ
4. INSULATION RESISTANCE: 100MΩ MIN
5. DIELECTRIC WITHSTAND VOLTAGE, AC 100V FOR 1MINUTE
6. INSERTION FORCE: 0.5~2.0kgf
7. UNMATING FORCE: 0.8~2.0kgf
8. DURABILITY: 10000 CYCLES
9. OPERATING TEMPERATURE: -25°C~+85°C
10. THE PEAK TEMPERATURE ON THE BOARD SHALL BE MAINTAINED FOR 10 SECONDS AT 260°C
11. WATERPROOF: IPX7



RECOMMENDED PCB LAYOUT  
TOLERANCE: ±0.05



SECTION A-A

A1	A2	A3	A4	A5	A6	A7	A8	A9	A10	A11	A12
GND			VBUS	CC1	D+	D-	SBU1	VBUS			GND
B12	B11	B10	B9	B8	B7	B6	B5	B4	B3	B2	B1
GND			VBUS	SBU2	D-	D+	CC2	VBUS			GND

1	SHELL	HIGH TEMPERATURE PLASTIC	PA46 BLACK UL94V-0
2	MID PLATE	STAINLESS STEEL	SUS304 NO PLATED
3	HOUSING	HIGH TEMPERATURE PLASTIC	PA9T BLACK UL94V-0
4	CONTACT	COPPER ALLOY(C7025)	Au PLATING ON CONTACT AREA
5	RING	SILICON	
6	OUT SHELL	STAINLESS STEEL	SUS304 NI PLATED
NO.	PARTS	MATERIAL	REMARKS

Guangdong Tengjun Electronic Technology Co., Ltd

Website:

<https://www.tengjunconn.com>

TEL:

0769-23323869

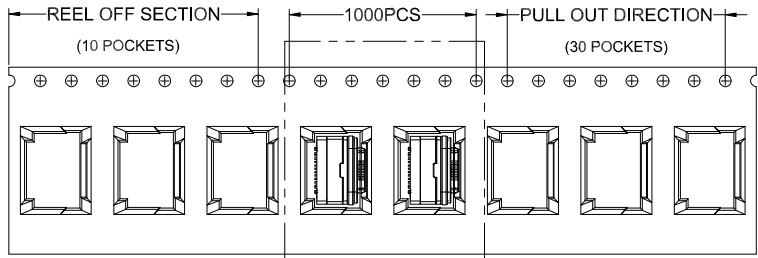


PART NAME	防水TYPE-C 16PIN SMT半包型 两脚插板 L6.0 B版
PART NO.	TJ1316LSW100745B7

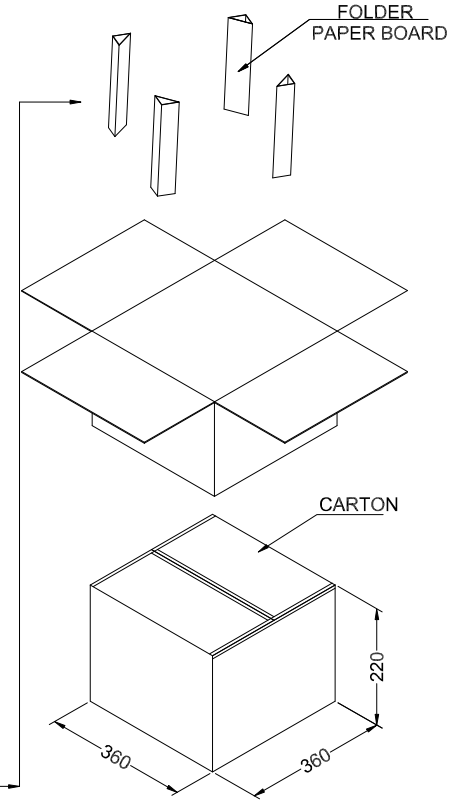
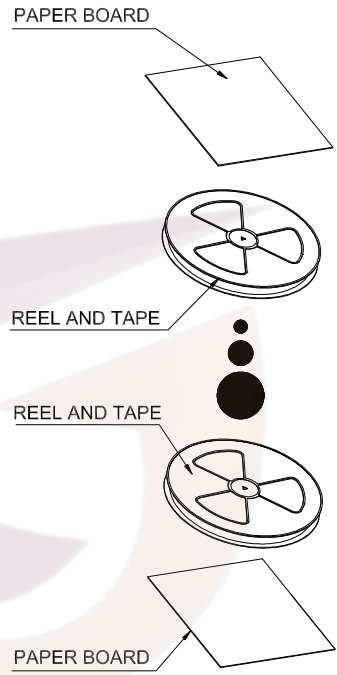
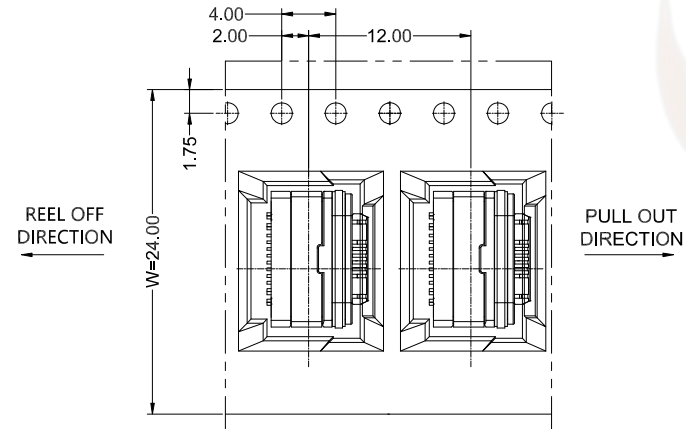
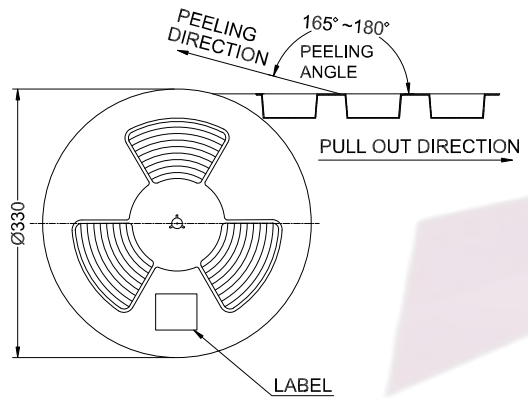
TOLERANCE UNLESS OTHERWISE SPECIFIED:	
X	±0.2
X.X	±0.15
X.XX	±0.10
X.XXX	±0.050

DRAWING:	Li	DATE:	2022.09.18	SCALE	SHEET	REV: A0
CHECK:	Chen	DATE:	2022.09.18	1:1	1/2	SIZE: A4
APPROVAL:	Yuan	DATE:	2022.09.18			

RoHS  
Compliant



SEE DETAIL X



	REEL	CARTON
CONNECTOR (PCS)	1000	7000

Guangdong Tengjun Electronic Technology Co., Ltd

Website:

<https://www.tengjunconn.com>

TEL:

0769-23323869



PART NAME 防水TYPE-C 16PIN SMT半包型  
两脚插板 L6.0 B版-包装图

PART NO. TJ1316LSW100745B7

TOLERANCE UNLESS OTHERWISE SPECIFIED:  
X ±0.2  
X.X ±0.15  
X.XX ±0.10  
X.XXX ±0.050

DRAWING: Li  
CHECK: Chen  
APPROVAL: Yuan

DATE: 2022.09.18  
DATE: 2022.09.18  
DATE: 2022.09.18

SCALE 1:1  
SHEET 2/2

REV:A0  
SIZE: A4

REVISION TABLE