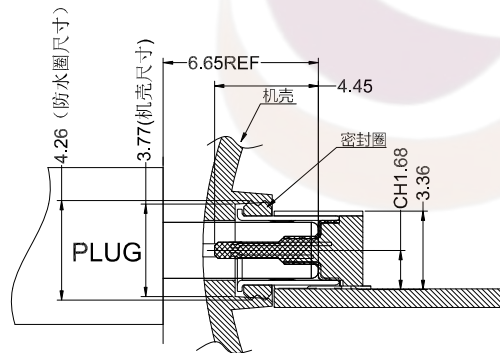
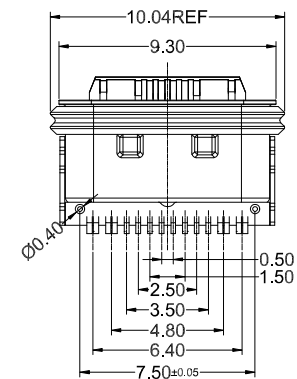
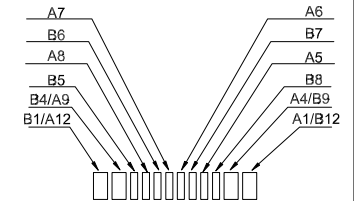
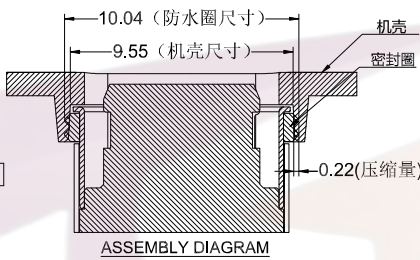
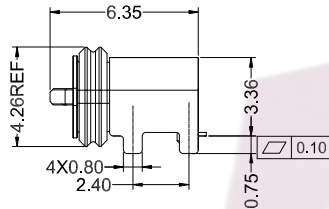
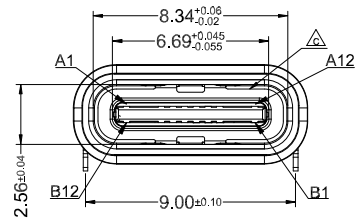
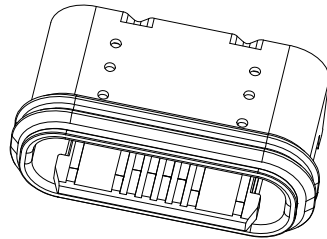
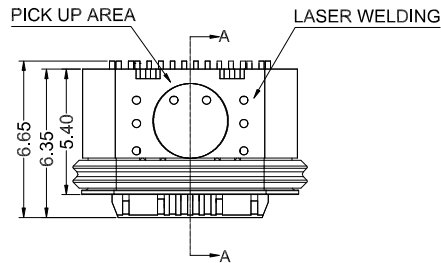


RoHS
Compliant



RECOMMENDED ASSEMBLY DRAWING

Ordering information:
TJ 13 16 LS W 10 0635 B 5
(1) (2)(3)(4)(5)(6) (7) (8)(9)

- (1): Manufacture ref TJ= TENGJUN
- (2): line numberr
- (3): Pin Number
- (4): H=立式 L=卧式 F=沉板 C=侧式
D=插件 S=贴板 W=焊线
- (5) shapet: P=平口, W=舌片外露
- (6) 定位柱: 1=带柱, 0=无柱
1=带弹, 0=无弹
- (7) 0635=6.35mm (L/H)
- (8) 胶芯颜色: 黑=B, 红=R, 绿=G, 蓝=L, 黄=Y, 橙=O, 粉=P
- (9) Waterproof: 7=IPX7, 8=IPX8, 0=not waterproof
- (10) 板上中心高度 CH=**

SPECIFICATION:

- 1. CURRENT RATING: 5.0 A
- 2. VOLTAGE RATING: 5.0 V
- 3. VBUS & GND PINS AND OTHER PINS: 40mΩ/PIN MAX
SHIELD: 50mΩ/MAX
LLCR MAX. CHANGE OF ALL PINS: 10mΩ
- 4. INSULATION RESISTANCE: 100MΩ MIN
- 5. DIELECTRIC WITHSTAND VOLTAGE, AC 100V FOR 1MINUTE
- 6. INSERTION FORCE: 0.5~2.0kgf
- 7. UNMATING FORCE: 0.8~2.0kgf
- 8. DURABILITY: 10000 CYCLES
- 9. OPERATING TEMPERATURE: -25°C~+85°C
- 10. THE PEAK TEMPERATURE ON THE BOARD SHALL BE MAINTAINED FOR 10 SECONDS AT 260°C
- 11. WATERPROOF: IPX5

RECOMMENDED PCB LAYOUT
TOLERANCE: ±0.05

A1	A2	A3	A4	A5	A6	A7	A8	A9	A10	A11	A12
GND			VBUS	CC1	D+	D-	SBU1	VBUS			GND
B12	B11	B10	B9	B8	B7	B6	B5	B4	B3	B2	B1
GND			VBUS	SBU2	D-	D+	CC2	VBUS			GND

1	SHELL	STAINLESS STEEL	SUS304 Ni PLATED
2	MID PLATE	STAINLESS STEEL	SUS304 NO PLATED
3	EMI	STAINLESS STEEL	SUS316 NO PLATED
4	HOUSING	HIGH TEMPERATURE PLASTIC	PA9T BLACK UL 94 V-0
5	CONTACT	COPPER ALLOY(C7025)	AU PLATING ON CONTACT AREA
6	WATERPROOF RING	SILICA GEL	BLACK
NO.	PARTS	MATERIAL	REMARKS

Guangdong Tengjun Electronic Technology Co., Ltd

Website:

<https://www.tengjunconn.com>

TEL:

0769-23323869



PART NAME

防水TYPE-C 16P SMT L5.45
刷黑色防水圈带拉伸EMI版(TID)

PART NO.

TJ1316LSW100635B5

TOLERANCE UNLESS OTHERWISE SPECIFIED:
X ±0.2
X.X ±0.15
X.XX ±0.10
X.XXX ±0.050

DRAWING:

Li

DATE:

2022.09.18

SCALE

SHEET

REV: A0

CHECK:

Chen

DATE:

2022.09.18

1:1

1/2

SIZE: A4

APPROVAL:

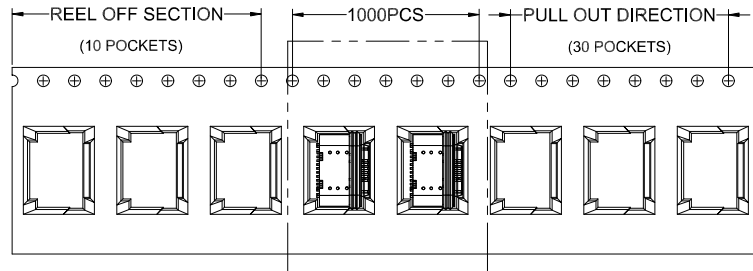
Yuan

DATE:

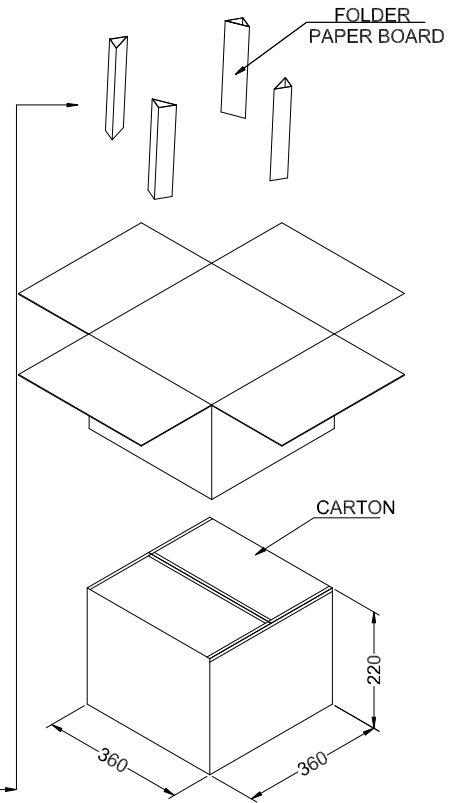
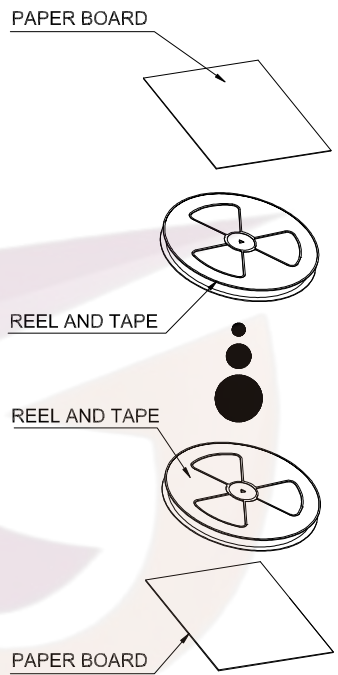
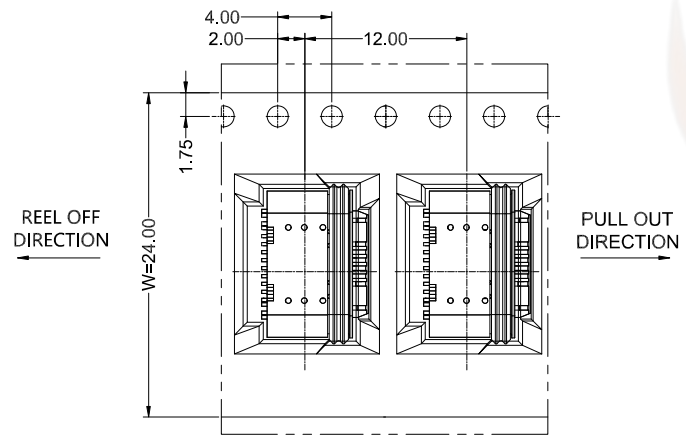
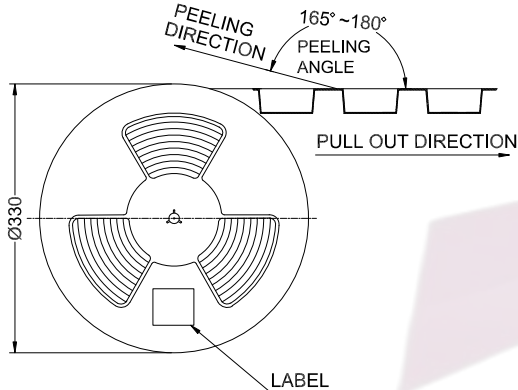
2022.09.18



RoHS
Compliant



SEE DETAIL X



	REEL	CARTON
CONNECTOR (PCS)	1000	7000

Guangdong Tengjun Electronic Technology Co., Ltd

Website:

<https://www.tengjunconn.com>

TEL:

0769-23323869



PART NAME 防水TYPE-C 16P SMT L5.45 刷黑色防水圈带拉伸EMI版(TID)-包装图

PART NO. TJ1316LSW100635B5

TOLERANCE UNLESS OTHERWISE SPECIFIED:
 X ±0.2
 X.X ±0.15
 X.XX ±0.10
 X.XXX ±0.050

DRAWING:	Li	DATE:	2022.09.18	SCALE	SHEET	REV:A0
CHECK:	Chen	DATE:	2022.09.18	1:1	2/2	SIZE: A4
APPROVAL:	Yuan	DATE:	2022.09.18			