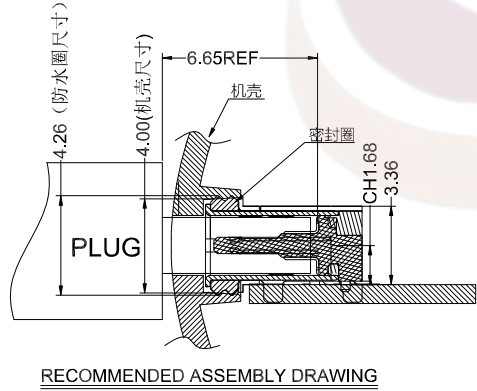
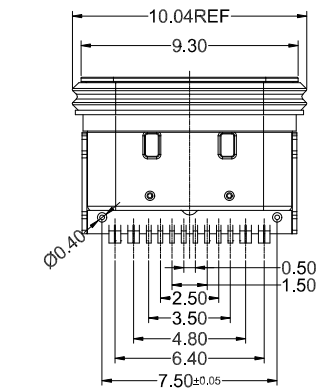
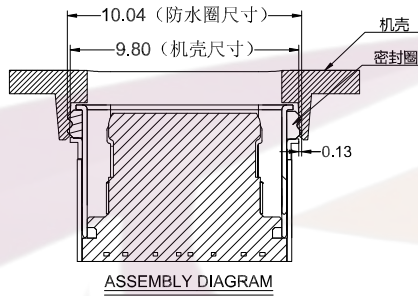
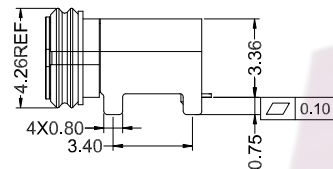
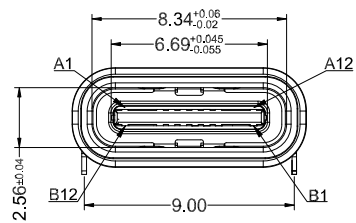
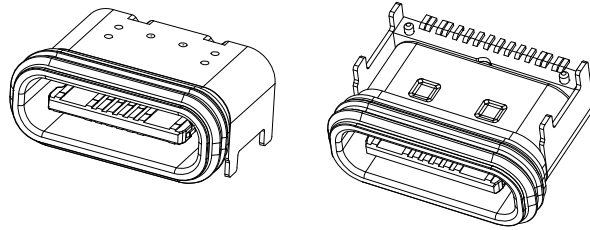
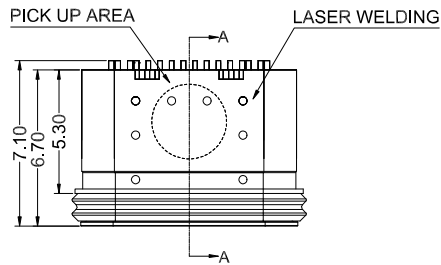


RoHS
Compliant

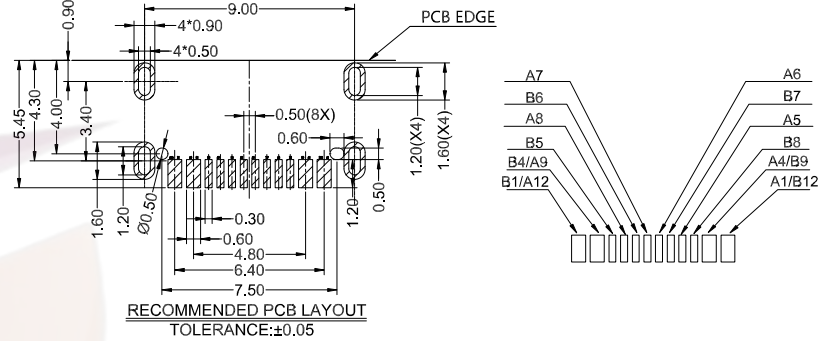


Ordering information:
TJ 13 16LSP 10 0670 B 5
(1) (2)(3)(4)(5)(6) (7) (8)(9)

(1) Manufacturer TJ= TENGJUN
(2) line number
(3) Pin Number
(4) H=立式 L=卧式 F=沉板 C=侧式
D=插件 S=贴片 W=焊线
(5) shape: P=平口, W=舌片外露
(6) 定位柱: 1=带柱, 0=无柱
1=带弹, 0=无弹
(7) 0670=6.70mm (L/H)
(8) 胶芯颜色: 黑=B, 红=R, 绿=G, 蓝=L, 黄=Y, 橙=O, 粉=P
(9) Waterproof: 7=IPX7, 8=IPX8, 0=not waterproof
(10) 板上中心高度 CH=**

SPECIFICATION:

- CURRENT RATING: 5.0 A
- VOLTAGE RATING: 5.0 V
- VBUS & GND PINS AND OTHER PINS: 40mΩ/PIN MAX SHIELD: 50mΩ/MAX
LLCR MAX. CHANGE OF ALL PINS: 10mΩ
- INSULATION RESISTANCE: 100MΩ MIN
- DIELECTRIC WITHSTAND VOLTAGE, AC 100V FOR 1MINUTE
- INSERTION FORCE: 0.5~2.0kgf
- UNMATING FORCE: 0.8~2.0kgf
- DURABILITY: 10000 CYCLES
- OPERATING TEMPERATURE: -25°C~+85°C
- THE PEAK TEMPERATURE ON THE BOARD SHALL BE MAINTAINED FOR 10 SECONDS AT 260°C
- WATERPROOF: IP65



A1	A2	A3	A4	A5	A6	A7	A8	A9	A10	A11	A12
GND			VBUS	CC1	D+	D-	SBU1	VBUS			GND
B12	B11	B10	B9	B8	B7	B6	B5	B4	B3	B2	B1
GND			VBUS	SBU2	D-	D+	CC2	VBUS			GND

NO.	PARTS	MATERIAL	REMARKS
1	OUTSHELL	STAINLESS STEEL	SUS304 Ni PLATED
2	SHELL	STAINLESS STEEL	SUS316 Ni PLATED
3	MID PLATE	STAINLESS STEEL	SUS304 NO PLATED
4	EMI	STAINLESS STEEL	SUS316 NO PLATED
5	HOUSING	HIGH TEMPERATURE PLASTIC	PA9T BLACK UL 94 V-0
6	CONTACT	COPPER ALLOY(C7025)	Au PLATING ON CONTACT AREA
7	WATERPROOF RING	SILICA GEL	/

Guangdong Tengjun Electronic Technology Co., Ltd Website: <https://www.tengjunconn.com> TEL: 0769-23323869

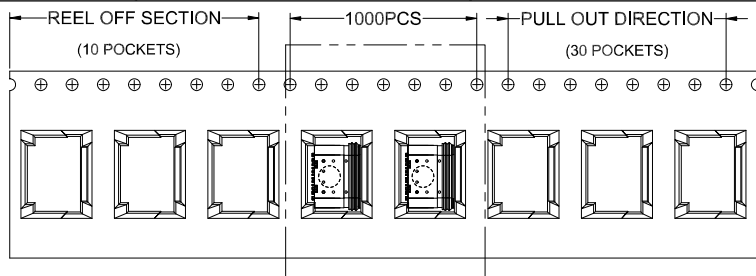


PART NAME 防水TYPE-C 16PIN SMT L6.7 有挡板 拉伸EMI版
PART NO. TJ1316LSP100670B5

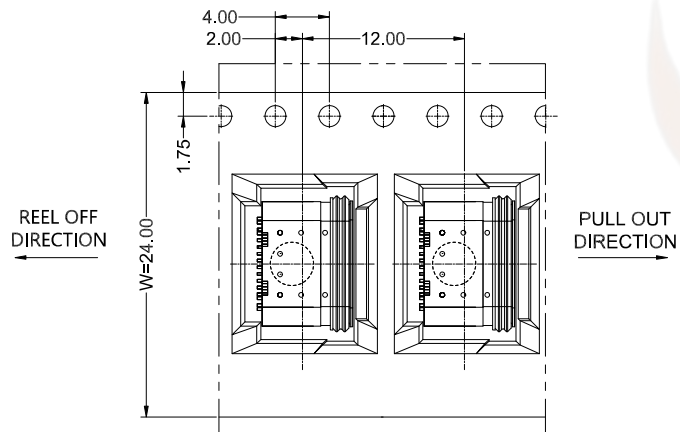
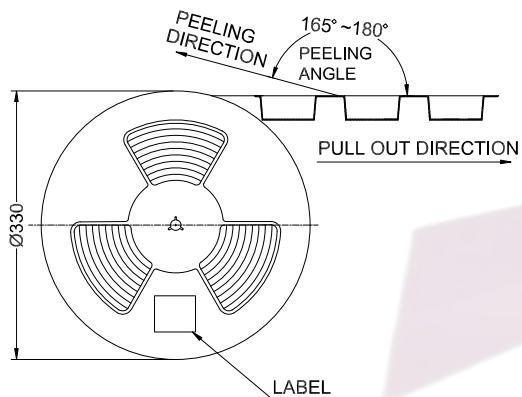
TOLERANCE UNLESS OTHERWISE SPECIFIED:
X ±0.2
X.X ±0.15
X.XX ±0.10
X.XXX ±0.050

DRAWING:	Li	DATE:	2022.09.18	SCALE	SHEET	REV:A0
CHECK:	Chen	DATE:	2022.09.18	1:1	1/2	SIZE: A4
APPROVAL:	Yuan	DATE:	2022.09.18			

RoHS
Compliant



SEE DETAIL X



PAPER BOARD

REEL AND TAPE

REEL AND TAPE

PAPER BOARD

FOLDER
PAPER BOARD

CARTON

	REEL	CARTON
CONNECTOR (PCS)	1000	7000

Guangdong Tengjun Electronic Technology Co., Ltd

Website:

<https://www.tengjunconn.com>

TEL:

0769-23323869



PART NAME

防水TYPE-C 16PIN SMT L6.7
有挡板 拉伸EMI版-包装图

PART NO.

TJ1316LSP100670B5

TOLERANCE UNLESS OTHERWISE SPECIFIED:
X ±0.2
X.X ±0.15
X.XX ±0.10
X.XXX ±0.050

DRAWING:

Li

DATE:

2022.09.18

SCALE

SHEET

REV:A0

CHECK:

Chen

DATE:

2022.09.18

1:1

2/2

SIZE: A4

APPROVAL:

Yuan

DATE:

2022.09.18

