

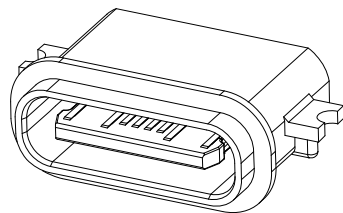
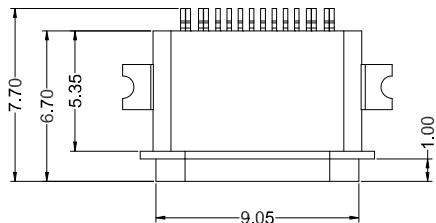
RoHS  
Compliant

Ordering information:

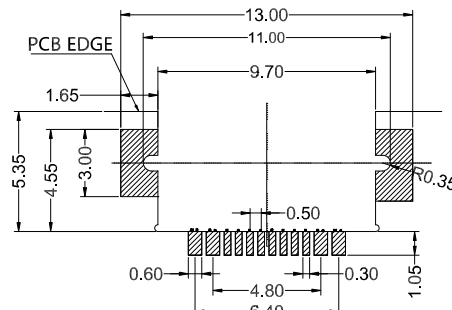
TJ 13 16 LS P 00 0670 B 6  
(1) (2) (3) (4) (5) (6) (7) (8) (9)

SPECIFICATION:

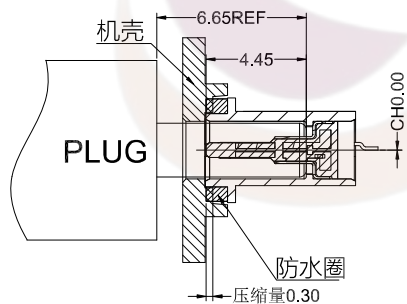
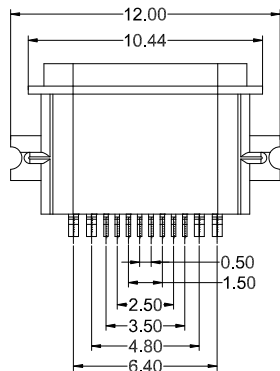
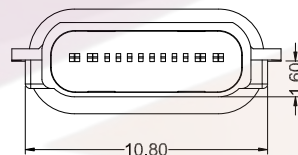
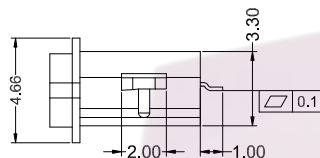
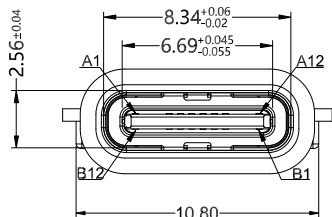
- CURRENT RATING: 5.0 A
- VOLTAGE RATING: 5.0 V
- VBUS & GND PINS AND OTHER PINS: 40mΩ/PIN MAX SHIELD: 50mΩ/MAX  
LLCR MAX. CHANGE OF ALL PINS: 10mΩ
- INSULATION RESISTANCE: 100MΩ MIN
- DIELECTRIC WITHSTAND VOLTAGE, AC 100V FOR 1MINUTE
- INSERTION FORCE: 0.5~2.0kgf
- UNMATING FORCE: 0.8~2.0kgf
- DURABILITY: 10000 CYCLES
- OPERATING TEMPERATURE: -25°C~+85°C
- THE PEAK TEMPERATURE ON THE BOARD SHALL BE MAINTAINED FOR 10 SECONDS AT 260°C
- WATERPROOF: IPX6



- Manufacturer TJ= TENGJUN
- line numberr
- Pin Number
- H=立式 L=卧式 F=沉板 C=侧式  
D=插件 S=贴板 W=焊线
- shapet: P=平口, W=舌片外露
- 定位柱: 1=带柱, 0=无柱  
I=带弹, 0=无弹
- 0670=6.7mm (L/H)
- 胶芯颜色: 黑=B, 红=R, 绿=G, 蓝=L, 黄=Y, 橙=O, 粉=P
- Waterproof : 7=IPX7, 8=IPX8, 0=not waterproof
- 板上中心高度CH=\*\*



RECOMMENDED PCB LAYOUT  
TOLERANCE: ±0.05



PRODUCT WATERPROOFING  
MECHANISM DIAGRAM

A1	A2	A3	A4	A5	A6	A7	A8	A9	A10	A11	A12
GND			VBUS	CC1	D+	D-	SBU1	VBUS			GND
B12	B11	B10	B9	B8	B7	B6	B5	B4	B3	B2	B1
GND			VBUS	SBU2	D-	D+	CC2	VBUS			GND

1	SHELL	ZINC ALLOY	Ni PLATED
2	EMI	STAINLESS STEEL	SUS316 NO PLATED
3	MID PLATE	STAINLESS STEEL	SUS301 NO PLATED
4	HOUSING	HIGH TEMPERATURE PLASTIC	PA9T BLACK UL 94 V-0
5	CONTACT	COPPER ALLOY(C7025)	Au 3U" PLATING ON CONTACT AREA TIN 50U" PLATING ON SOLDER TAILS
6	WATERPROOF RING	SILICA GEL	/
NO.	PARTS	MATERIAL	REMARKS

Guangdong Tengjun Electronic Technology Co., Ltd

Website: <https://www.tengjunconn.com>

TEL: 0769-23323869

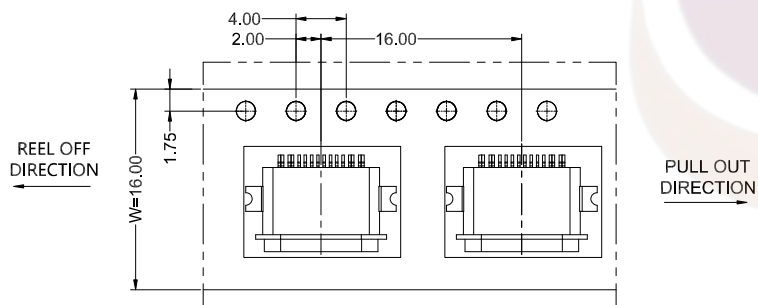
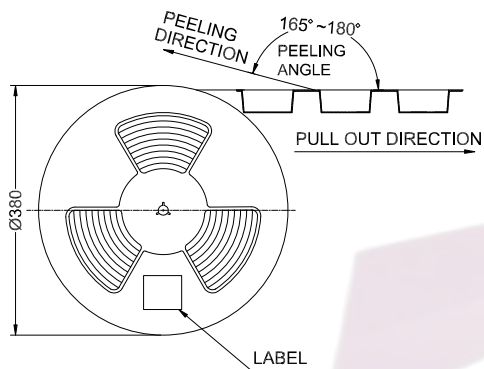
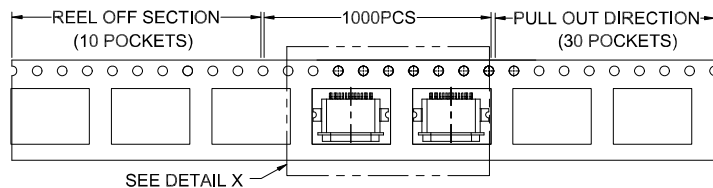


PART NAME	TYPE C 16PIN 沉板1.6防水型 (EMI) 版 (拉伸EMI)
PART NO.	TJ1316LSP000670B6

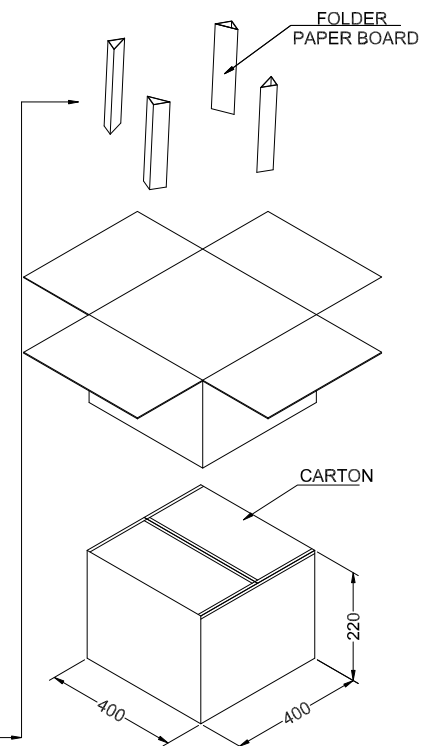
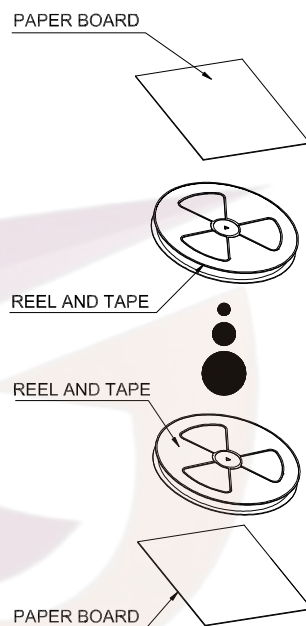
TOLERANCE UNLESS OTHERWISE SPECIFIED:  
X ±0.2  
X.X ±0.15  
X.XX ±0.10  
X.XXX ±0.050

DRAWING:	Li	DATE:	2022.09.18	SCALE	SHEET	REV:	A0
CHECK:	Chen	DATE:	2022.09.18	1:1	1/2	SIZE:	A4
APPROVAL:	Yuan	DATE:	2022.09.18				

RoHS  
Compliant



DETAIL X



	REEL	CARTON
CONNECTOR (PCS)	1000	10000

Guangdong Tengjun Electronic Technology Co., Ltd

Website:

<https://www.tengjunconn.com>

TEL:

0769-23323869



PART NAME

TYPE C 16PIN 沉板1.6防水型  
拉伸EMI包装图

PART NO.

TJ1316LSP000670B6

TOLERANCE UNLESS OTHERWISE SPECIFIED:  
X ±0.2  
X.X ±0.15  
X.XX ±0.10  
X.XXX ±0.050

DRAWING:

Li

DATE:

2022.09.18

SCALE

SHEET

REV:A0

CHECK:

Chen

DATE:

2022.09.18

1:1

2/2

SIZE: A4

APPROVAL:

Yuan

DATE:

2022.09.18

