

RoHS
Compliant



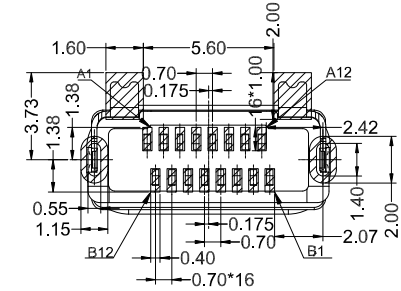
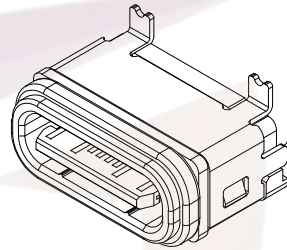
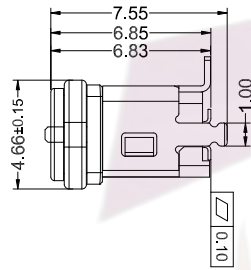
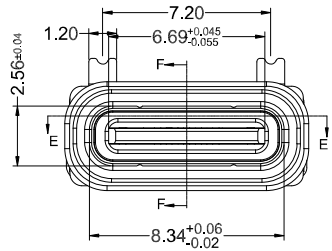
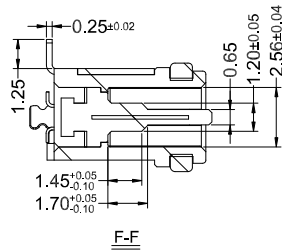
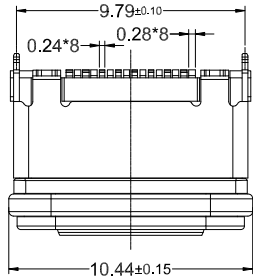
Ordering information:

TJ 13 16 HS W 00 0685 B 7
(1) (2) (3) (4) (5) (6) (7) (8) (9)

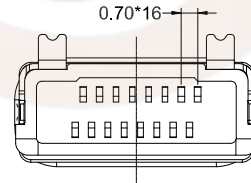
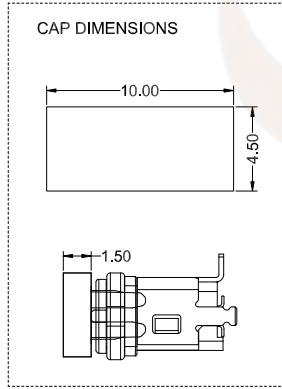
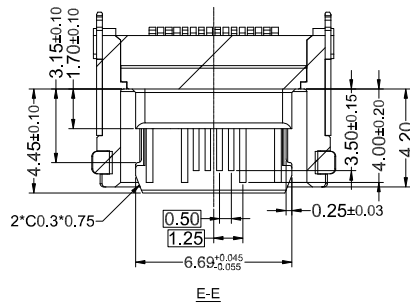
- (1): Manufacture rer TJ= TENGJUN
- (2): line number
- (3): Pin Number
- (4): H=立式 L=卧式 F=沉板 C=侧式
D=插件 S=贴板 W=焊线
- (5) shapet: P=平口, W=舌片外露
- (6) 定位柱: 1=带柱, 0=无柱
I=带弹, 0=无弹
- (7) 0685=6.85mm (L/H)
- (8) 胶芯颜色: 黑=B, 红=R, 绿=G, 蓝=L, 黄=Y, 橙=O, 粉=P
- (9) Waterproof : 7=IPX7, 8=IPX8, 0=not waterproof
- (10) 板上中心高度CH=**

SPECIFICATION:

- 1.CURRENT RATING: 5.0 A
- 2.VOLTAGE RATING: 5.0 V
- 3.VBUS & GND PINS AND OTHER PINS: 40mΩ/PIN MAX
SHIELD: 50mΩ/MAX
LLCR MAX. CHANGE OF ALL PINS: 10mΩ
- 4.INSULATION RESISTANCE: 100MΩ MIN
- 5.DIELECTRIC WITHSTAND VOLTAGE,AC 100V FOR 1MINUTE
- 6.INSERTION FORCE: 0.5~2.0kgf
- 7.UNMATING FORCE: 0.8~2.0kgf
- 8.DURABILITY: 10000 CYCLES
- 9.OPERATING TEMPERATURE: -25°C~+85°C
- 10.THE PEAK TEMPERATURE ON THE BOARD SHALL
BE MAINTAINED FOR 10 SECONDS AT 260°C
- 11.WATERPROOF:IP67



RECOMMENDED PCB LAYOUT
TOLERANCE:±0.05



A1	A2	A3	A4	A5	A6	A7	A8	A9	A10	A11	A12
GND			VBUS	CC1	D+	D-	SBU1	VBUS			GND
B12	B11	B10	B9	B8	B7	B6	B5	B4	B3	B2	B1
GND			VBUS	SBU2	D-	D+	CC2	VBUS			GND

1	SHELL	STAINLESS STEEL	SUS304 Ni PLATED
1	SHEATH	HIGH TEMPERATURE PLASTIC	PA46 BLACK UL 94 V-0
2	MID PLATE	STAINLESS STEEL	SUS304 NO PLATED
3	HOUSING	HIGH TEMPERATURE PLASTIC	PA9T BLACK UL 94 V-0
4	CONTACT	COPPER ALLOY(C7025)	Au PLATING ON CONTACT AREA
5	WATERPROOF RING	SILICA GEL	/
NO.	PARTS	MATERIAL	REMARKS

Guangdong Tengjun Electronic Technology Co., Ltd

Website:

<https://www.tengjunconn.com>

TEL:

0769-23323869



PART NAME 防水TYPE-C 16PIN 立贴H7.55 2插2贴

PART NO. TJ1316HSW000685B7

TOLERANCE UNLESS OTHERWISE SPECIFIED:
X ±0.2
X.X ±0.15
X.XX ±0.10
X.XXX ±0.050

DRAWING:

Li

DATE:

2022.09.18

SCALE

SHEET

REV:A0

CHECK:

Chen

DATE:

2022.09.18

1:1

1/3

SIZE: A4

APPROVAL:

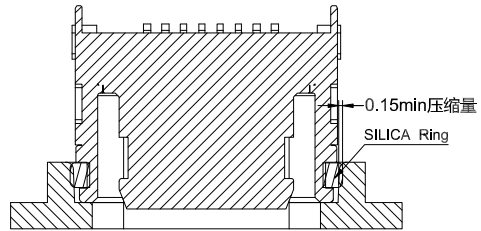
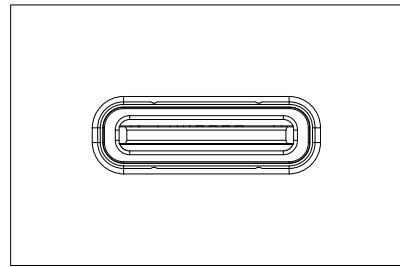
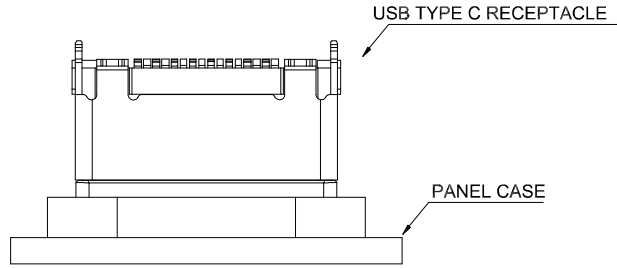
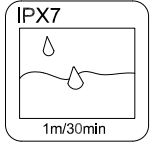
Yuan

DATE:

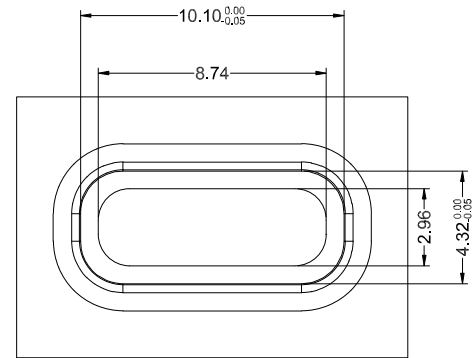
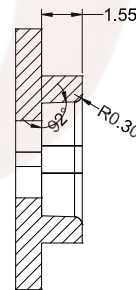
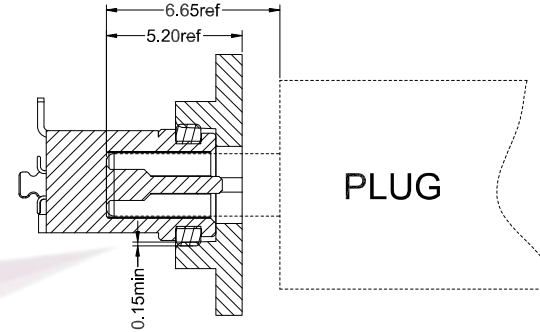
2022.09.18



RoHS
Compliant



RELATIVE POSITON FOR APPLICATION



PANEL CASE DIMENSIONS

Guangdong Tengjun Electronic Technology Co., Ltd

Website:

<https://www.tengjunconn.com>

TEL:

0769-23323869



PART NAME 防水TYPE-C 16PIN 立贴H755 2插2贴

PART NO. TJ1316HSW000685B7

TOLERANCE UNLESS OTHERWISE SPECIFIED:
X ±0.2
X.X ±0.15
X.XX ±0.10
X.XXX ±0.050

DRAWING:

Li

DATE:

2022.09.18

SCALE

SHEET

REV:A0

CHECK:

Chen

DATE:

2022.09.18

1:1

2/3

SIZE: A4

APPROVAL:

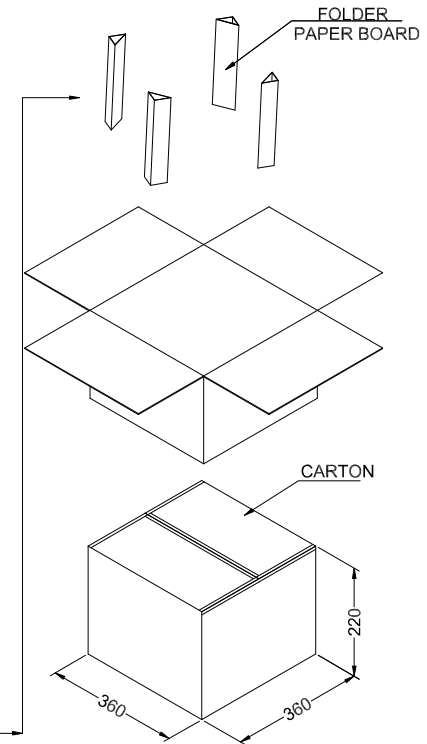
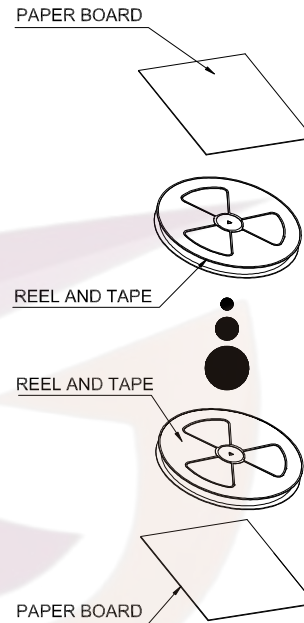
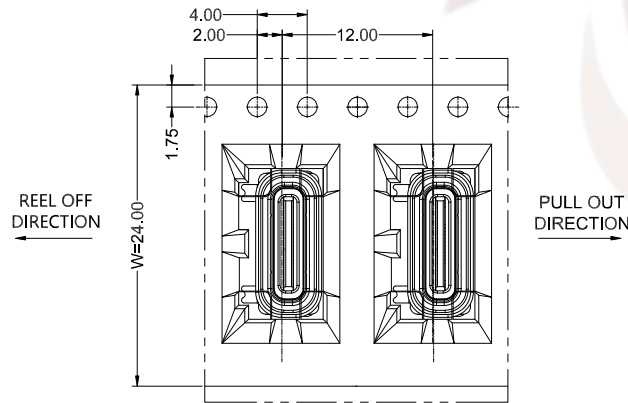
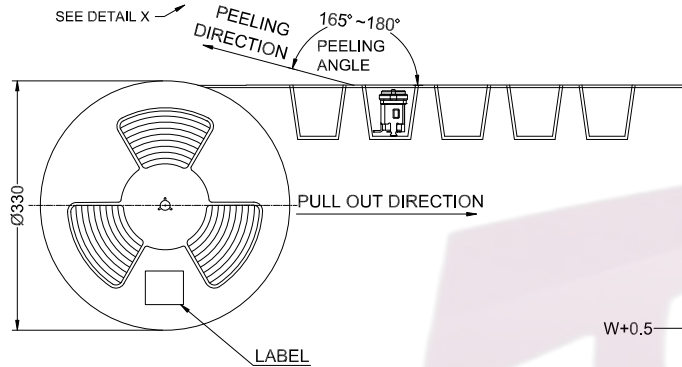
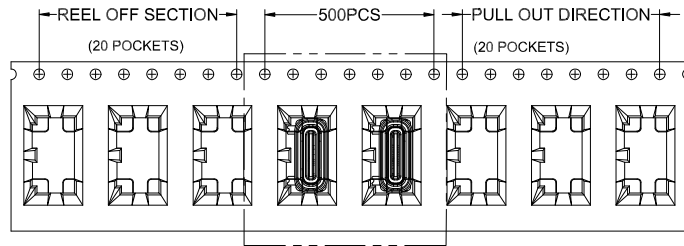
Yuan

DATE:

2022.09.18



RoHS
Compliant



	REEL	CARTON
CONNECTOR (PCS)	500	3500

Guangdong Tengjun Electronic Technology Co., Ltd

Website:

<https://www.tengjunconn.com>

TEL:

0769-23323869



PART NAME 防水TYPE-C 16PIN 立贴H755
2插2贴-包装图

PART NO. TJ1316HSW000685B7

TOLERANCE UNLESS OTHERWISE SPECIFIED:
X ±0.2
X.X ±0.15
X.XX ±0.10
X.XXX ±0.050

DRAWING: Li
CHECK: Chen
APPROVAL: Yuan

DATE: 2022.09.18
DATE: 2022.09.18
DATE: 2022.09.18

SCALE 1:1
SHEET 3/3
REV: A0
SIZE: A4