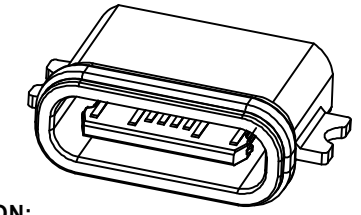
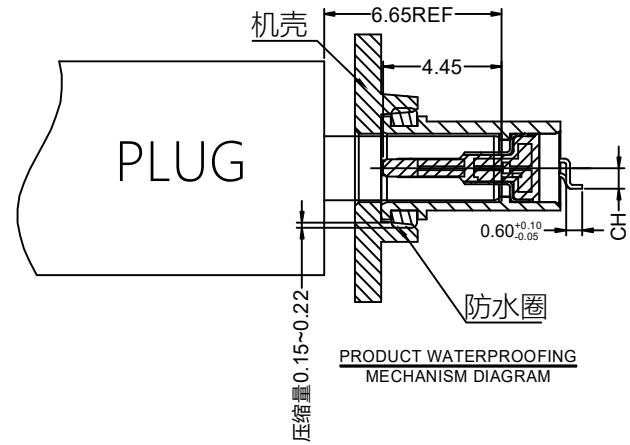
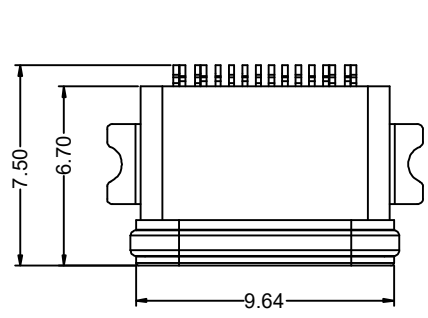


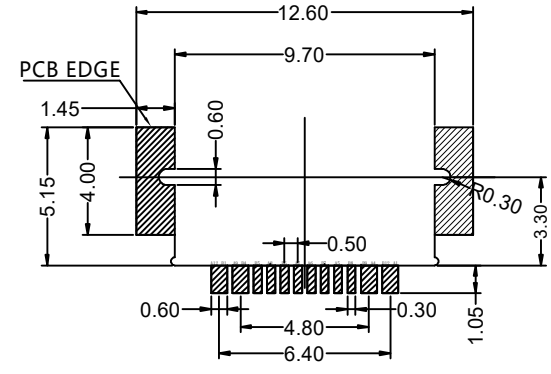
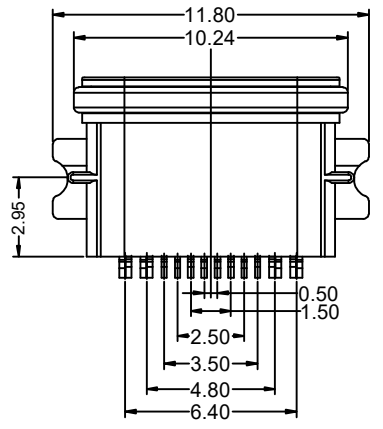
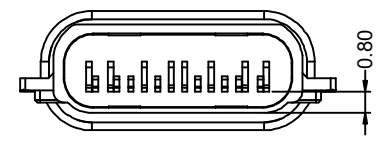
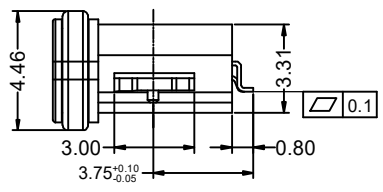
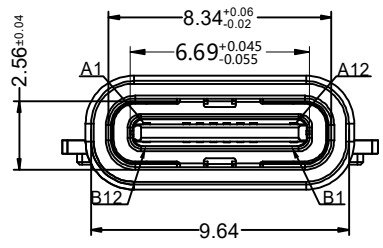
6		7		8		
沉板高度	CH	REV	DESCRIPTION	DATE	CHECK	APPROVAL
沉板0.8	0.78	A0	NEW RELEASE	2024/06/15	MA	PENG
		B	EMI更换拉伸壳	2025/03/21	MA	PENG



PRODUCT WATERPROOFING MECHANISM DIAGRAM

SPECIFICATION:

- CURRENT RATING: 5.0 A
- VOLTAGE RATING: 5.0 V
- VBUS & GND PINS AND OTHER PINS: 40mΩ/PIN MAX SHIELD: 50mΩ/MAX
LLCR MAX. CHANGE OF ALL PINS: 10mΩ
- INSULATION RESISTANCE: 100MΩ MIN
- DIELECTRIC WITHSTAND VOLTAGE, AC 100V FOR 1MINUTE
- INSERTION FORCE: 0.5~2.0kgf
- UNMATING FORCE: 0.8~2.0kgf
- DURABILITY: 10000 CYCLES
- OPERATING TEMPERATURE: -25°C~+85°C
- THE PEAK TEMPERATURE ON THE BOARD SHALL BE MAINTAINED FOR 10 SECONDS AT 260°C
- WATERPROOF: IPX6



RECOMMENDED PCB LAYOUT TOLERANCE: ±0.05

- TYSC 6 1 2 1 3 03 1 - A1094-B NO.1094
- 外壳/钢片材质: 6.锌合金+SUS
 - 外壳电镀: 1.镍50u"
 - 防水圈: 1:红色
 - 端子电镀: 03: Au3u"
 - 端子材质: 3: C7025
 - 主体颜色: 1: 黑色
 - 主体材质: 2: PA9T

A1	A2	A3	A4	A5	A6	A7	A8	A9	A10	A11	A12
GND			VBUS	CC1	D+	D-	SBU1	VBUS			GND
B12	B11	B10	B9	B8	B7	B6	B5	B4	B3	B2	B1
GND			VBUS	SBU2	D-	D+	CC2	VBUS			GND

NO.	PARTS	MATERIAL	REMARKS
1	SHELL	ZINC ALLOY	ZINC ALLOY Ni PLATED
2	EMI	STAINLESS STEEL	SUS316 NO PLATED
3	MID PLATE	STAINLESS STEEL	SUS301 NO PLATED
4	HOUSING	HIGH TEMPERATURE PLASTIC	PA9T BLACK UL 94 V-0
5	CONTACT	COPPER ALLOY (C7025)	AU PLATING ON CONTACT AREA TIN 50U" PLATING ON SOLDER TAILS
6	WATERPROOF RING	SILICA GEL	RED



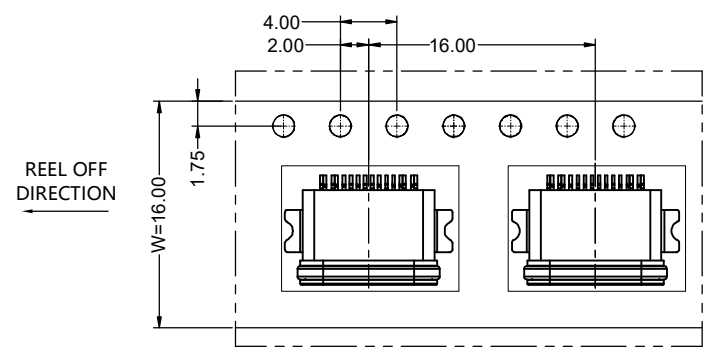
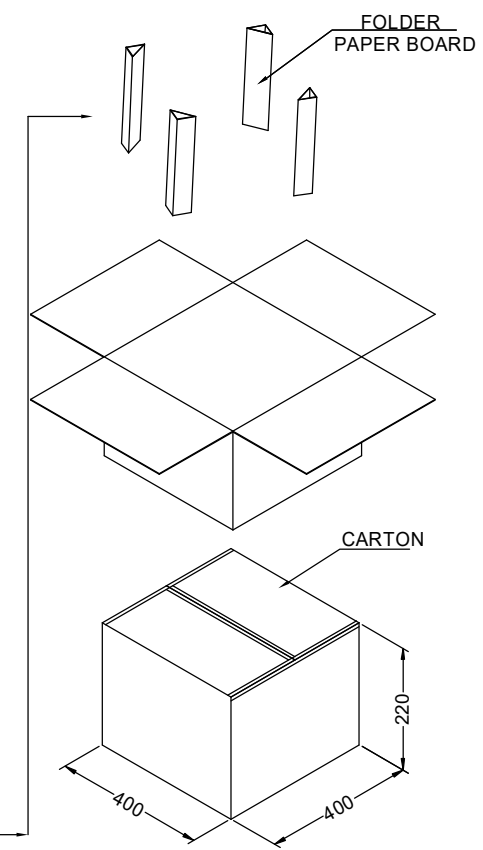
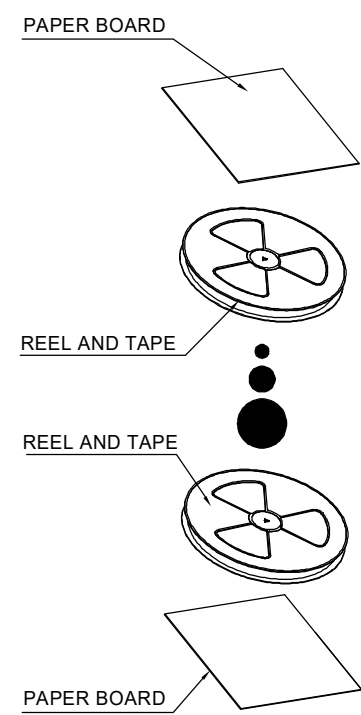
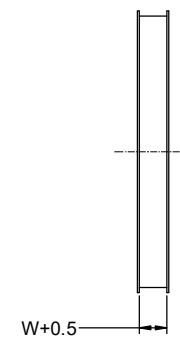
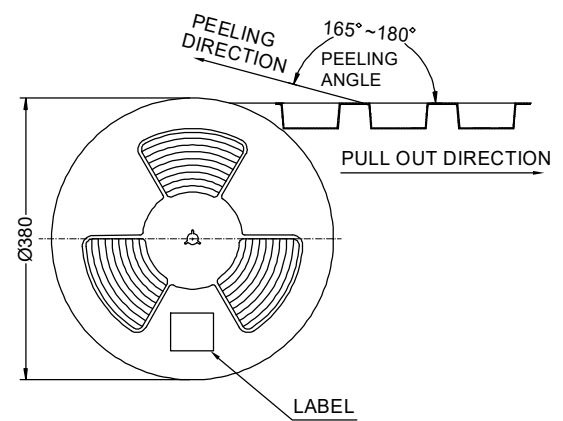
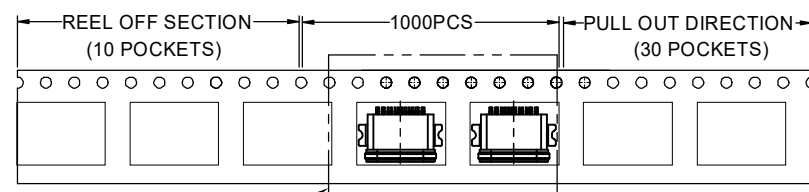
GENERAL TOLERANCE	
.X	0.30
.XX	0.20
.XXX	0.10

东莞市优连电子有限公司
FRIEND CONN ELECTRONIC CO.,LTD.

APPROVAL: PENG CHECK: MA DRAWN: ZHANG DATE: 2025/03/21

PART NO.			
TYSC61213031-A1094-B			
TITLE.			
TYPE C 16PIN 沉板0.8防水型 锡脚长0.8 (拉伸EMI) 版			
UNIT	SCALE	NUMBER	REV
MM	1:1	B-00	B1

REV	DESCRIPTION	DATE	CHECK	APPROVAL
A0	NEW RELEASE	2024/06/15	MA	PENG
B	EMI更换拉伸壳	2025/03/21	MA	PENG



	REEL	CARTON
CONNECTOR (PCS)	1000	10000

RoHS
Compliant
2002/95/EC

GENERAL TOLERANCE	
.X	0.30
.XX	0.20
.XXX	0.10

U 东莞市优连电子有限公司
FRIEND CONN ELECTRONIC CO,LTD.

APPROVAL	CHECK	DRAWN	DATE
PENG	MA	ZHANG	2025/03/21

PART NO.			
TYSC61213031-A1094-B			
TITLE			
TYPE C 16PIN 沉板0.8 防水型锡脚长0.8 (拉伸EMI) 版包装图			
UNIT	SCALE	NUMBER	REV
MM	1:1	B-00	B1