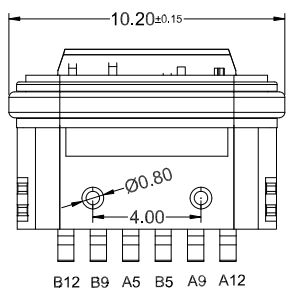
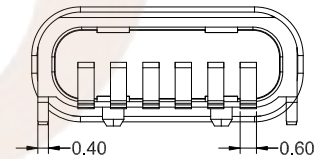
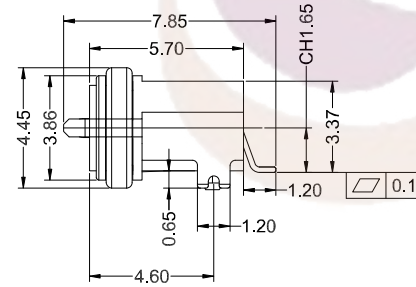
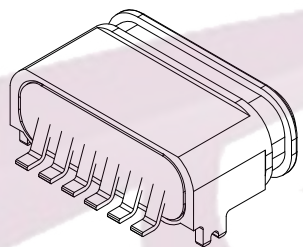
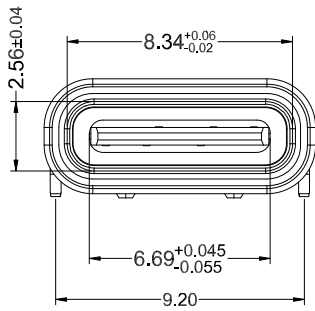
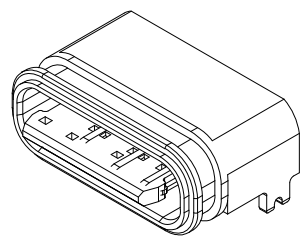
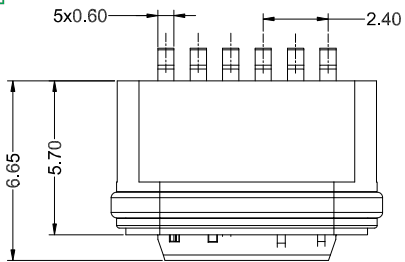


RoHS
Compliant

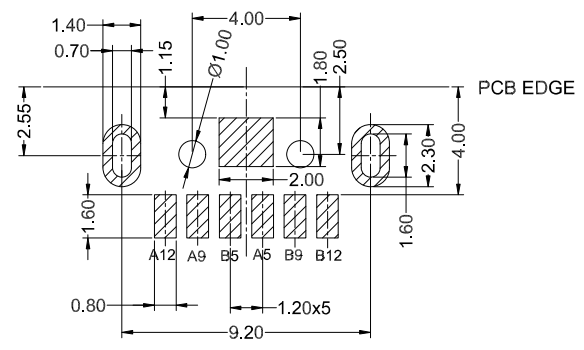


Ordering information:
TJ 13 06 LS W 00 0665 B 7
(1) (2)(3)(4)(5)(6) (7) (8)(9)

- (1): Manufacture rer TJ= TENGJUN
- (2): line numberr
- (3): Pin Number
- (4): H= 立式 L= 卧式 F= 沉板 C= 侧式
D= 插件 S= 贴板 W= 焊线
- (5) shapet: P= 平口, W= 舌片外露
- (6) 定位柱: 1= 带柱, 0= 无柱
1= 带弹, 0= 无弹
- (7) 0665=6.65mm (L/H)
- (8) 胶芯颜色: 黑=B, 红=R, 绿=G, 蓝=L, 黄=Y, 橙=O, 粉=P
- (9) Waterproof :7=IPX7, 8=IPX8, 0=not waterproof
- (10) 板上中心高度 CH=**

SPECIFICATION:

1. CURRENT RATING: 3.0 A
2. VOLTAGE RATING: 5.0 V
3. VBUS & GND PINS AND OTHER PINS: 40mΩ/PIN MAX
SHIELD: 50mΩ/MAX
LLCR MAX. CHANGE OF ALL PINS: 10mΩ
4. INSULATION RESISTANCE: 100MΩ MIN
5. DIELECTRIC WITHSTAND VOLTAGE, AC 100V FOR 1MINUTE
6. INSERTION FORCE: 0.5~2.0kgf
7. UNMATING FORCE: 0.8~2.0kgf
8. DURABILITY: 10000 CYCLES
9. OPERATING TEMPERATURE: -25°C~+85°C
10. THE PEAK TEMPERATURE ON THE BOARD SHALL BE MAINTAINED FOR 10 SECONDS AT 260°C
11. WATERPROOF: IP67.



RECOMMENDED PCB LAYOUT
TOLERANCE: ±0.05

A1	A2	A3	A4	A5	A6	A7	A8	A9	A10	A11	A12
				CC1				VBUS			GND
B12	B11	B10	B9	B8	B7	B6	B5	B4	B3	B2	B1
GND			VBUS				CC2				

1	SHELL	ZN ALLOY	NI PLATED
2	MID PLATE	STAINLESS STEEL	SUS304 NO PLATED
3	HOUSING	HIGH TEMPERATURE PLASTIC	LCP BLACK UL94V-0
4	CONTACT	COPPER ALLOY(C5191)	Au PLATING ON CONTACT AREA
5	RING	SILICON	
NO.	PARTS	MATERIAL	REMARKS

Guangdong Tengjun Electronic Technology Co., Ltd

Website: <https://www.tengjunconn.com>

TEL: 0769-23323869

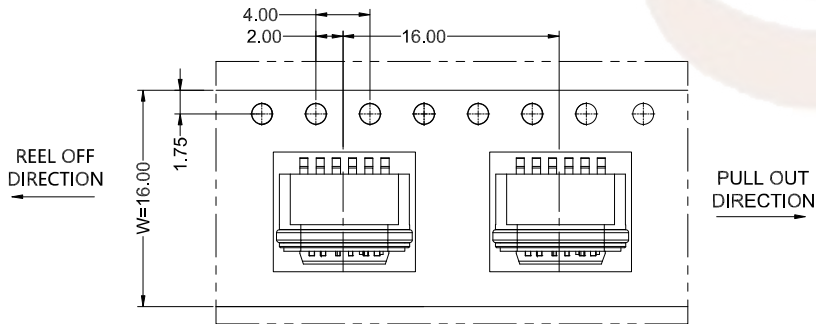
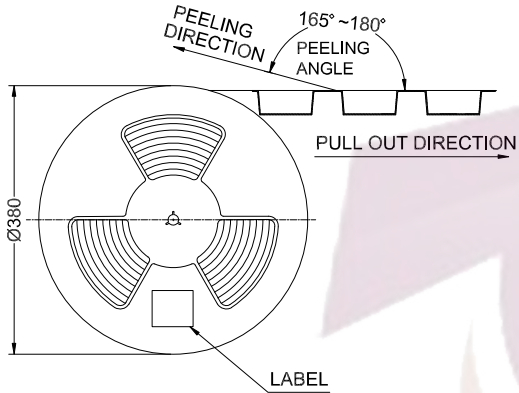
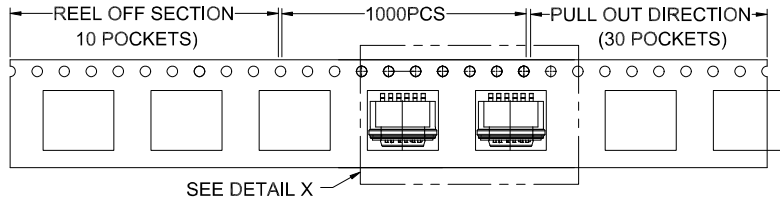


PART NAME	防水TYPE-C 6PIN SMT 四脚插板带柱
PART NO.	TJ1306LSW000665B7

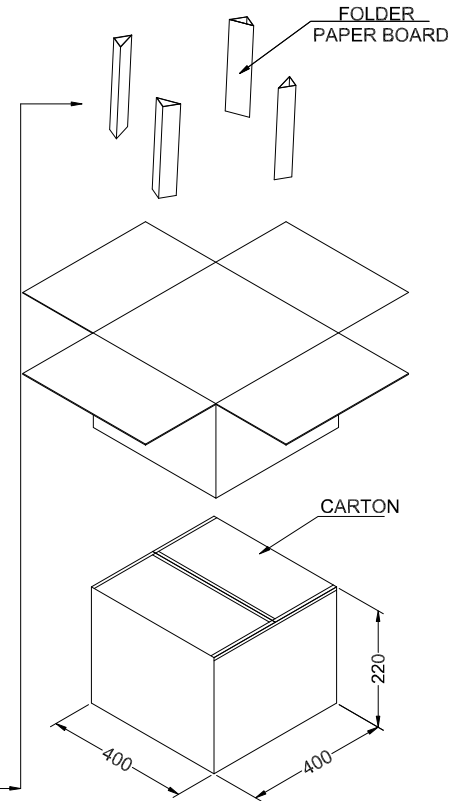
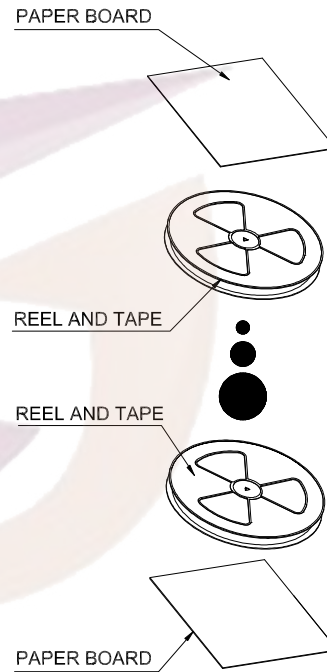
TOLERANCE UNLESS OTHERWISE SPECIFIED:	
X	±0.2
X.X	±0.15
X.XX	±0.10
X.XXX	±0.050

DRAWING:	Li	DATE:	2022.09.18	SCALE	SHEET	REV:A0
CHECK:	Chen	DATE:	2022.09.18	1:1	1/2	SIZE: A4
APPROVAL:	Yuan	DATE:	2022.09.18			

RoHS
Compliant



DETAIL X



	REEL	CARTON
CONNECTOR (PCS)	1000	10000

Guangdong Tengjun Electronic Technology Co., Ltd

Website:

<https://www.tengjunconn.com>

TEL:

0769-23323869



PART NAME

防水TYPE-C 6PIN SMT
四脚插板带柱-包装图

PART NO.

TJ1306LSW000665B7

TOLERANCE UNLESS OTHERWISE SPECIFIED:

X ±0.2

X.X ±0.15

X.XX ±0.10

X.XXX ±0.050

DRAWING:

Li

DATE:

2022.09.18

CHECK:

Chen

DATE:

2022.09.18

APPROVAL:

Yuan

DATE:

2022.09.18

SCALE

1:1

SHEET

2/2

REV:A0

SIZE:A4

