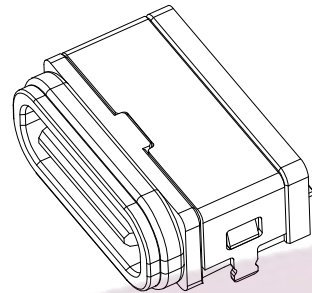
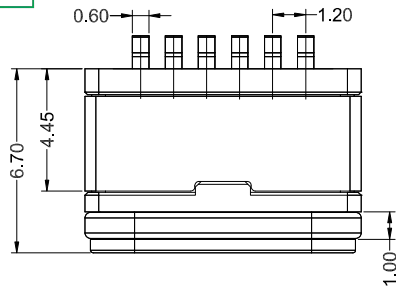
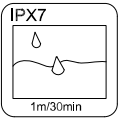


RoHS
Compliant



Ordering information:

TJ 13 06 LSP 10 0670 B 7
(1) (2)(3)(4)(5)(6) (7) (8)(9)

(1):Manufacturer TJ= TENGJUN

(2):line numberr

(3):Pin Number

(4):H= 立式 L= 卧式 F= 沉板 C= 侧式

D= 插件 S= 贴板 W= 焊线

(5)shapet: P= 平口, W= 舌片外露

(6)定位柱: 1= 带柱, 0= 无柱

1= 带弹, 0= 无弹

(7)0670=6.7mm (L/H)

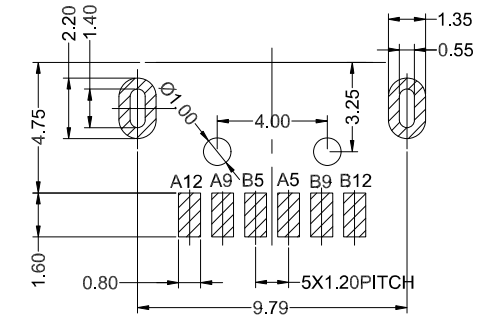
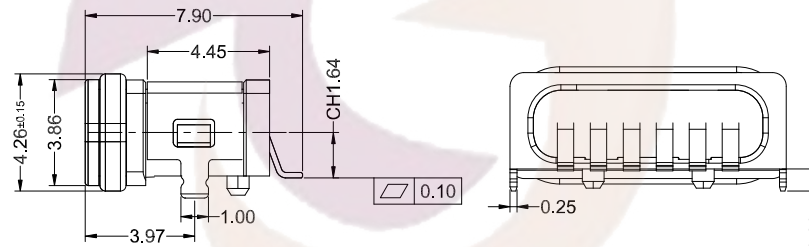
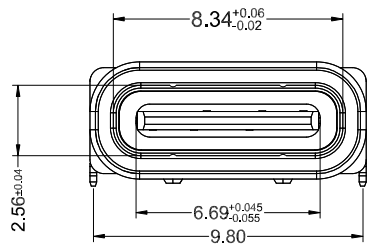
(8)胶芯颜色: 黑=B, 红=R, 绿=G, 蓝=L, 黄=Y, 橙=O, 粉=P

(9)Waterproof: 7=IPX7, 8=IPX8, 0=not waterproof

(10)板上中心高度 CH=1.64

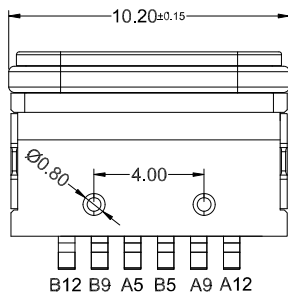
SPECIFICATION:

- CURRENT RATING: 3.0 A
- VOLTAGE RATING: 5.0 V
- VBUS & GND PINS AND OTHER PINS: 40mΩ/PIN MAX
SHIELD: 50mΩ/MAX
LLCR MAX. CHANGE OF ALL PINS: 10mΩ
- INSULATION RESISTANCE: 100MΩ MIN
- DIELECTRIC WITHSTAND VOLTAGE, AC 100V FOR 1MINUTE
- INSERTION FORCE: 0.5~2.0kgf
- UNMATING FORCE: 0.8~2.0kgf
- DURABILITY: 10000 CYCLES
- OPERATING TEMPERATURE: -25°C~+85°C
- THE PEAK TEMPERATURE ON THE BOARD SHALL BE MAINTAINED FOR 10 SECONDS AT 260°C
- WATERPROOF: IP67.



RECOMMENDED PCB LAYOUT

TOLERANCE: ±0.05



A1	A2	A3	A4	A5	A6	A7	A8	A9	A10	A11	A12
				CC1				VBUS			GND
B12	B11	B10	B9	B8	B7	B6	B5	B4	B3	B2	B1
GND			VBUS				CC2				

1	SHELL	HIGH TEMPERATURE PLASTIC	PA46 BLACK UL94V-0
2	MID PLATE	STAINLESS STEEL	SUS304 NO PLATED
3	HOUSING	HIGH TEMPERATURE PLASTIC	LCP BLACK UL94V-0
4	CONTACT	COPPER ALLOY(C5191)	Au PLATING ON CONTACT AREA
5	RING	SILICON	/
6	OUT SHELL	STAINLESS STEEL	SUS304 NI PLATED
NO.	PARTS	MATERIAL	REMARKS

Guangdong Tengjun Electronic Technology Co., Ltd

Website:

<https://www.tengjunconn.com>

TEL:

0769-23323869



PART NAME 防水TYPE-C 6PIN SMT 半包型
外壳两脚插板带柱

PART NO. TJ1306LSP100670B7

TOLERANCE UNLESS OTHERWISE SPECIFIED:
X ±0.2
X.X ±0.15
X.XX ±0.10
X.XXX ±0.050

DRAWING:

Li

DATE:

2022.09.18

SCALE

SHEET

REV: A0

CHECK:

Chen

DATE:

2022.09.18

1:1

1/3

SIZE: A4

APPROVAL:

Yuan

DATE:

2022.09.18



F

E

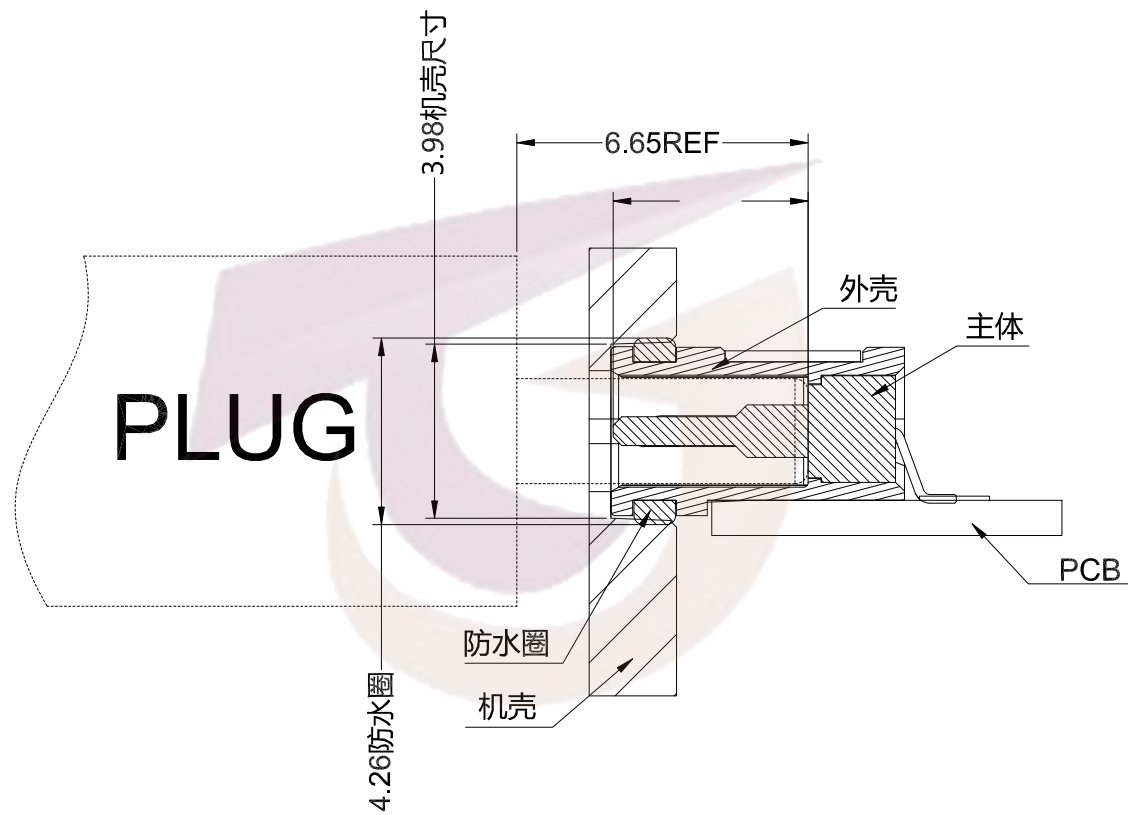
D

C

B

A

RoHS
Compliant



Guangdong Tengjun Electronic Technology Co., Ltd

Website:

<https://www.tengjunconn.com>

TEL:

0769-23323869

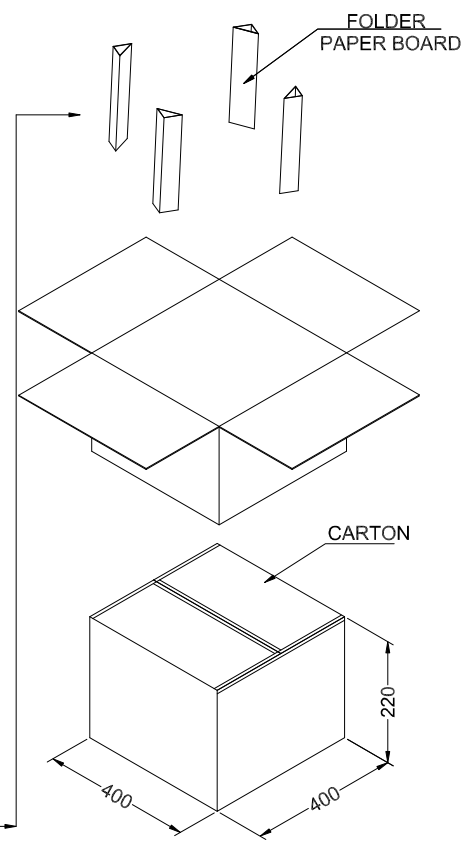
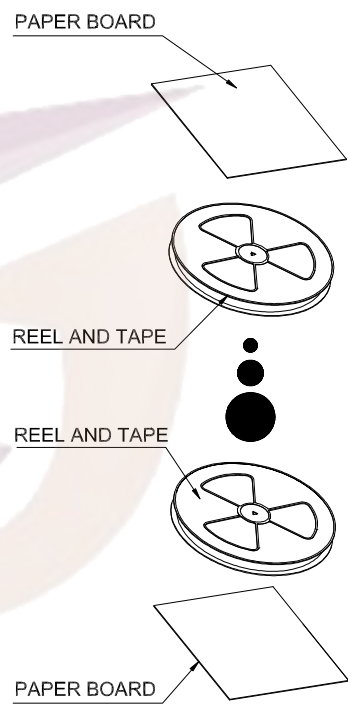
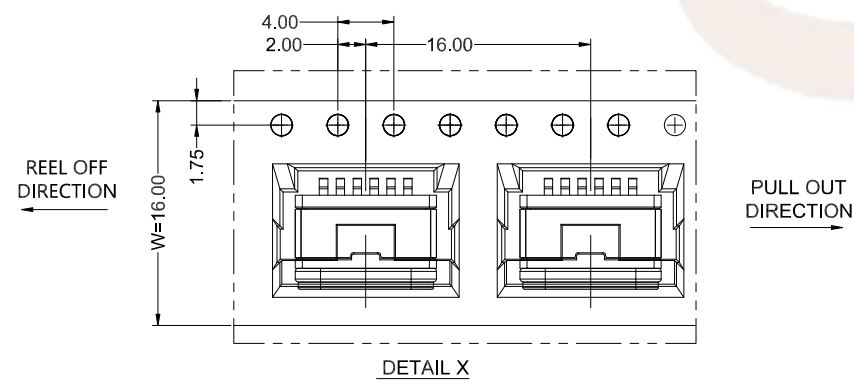
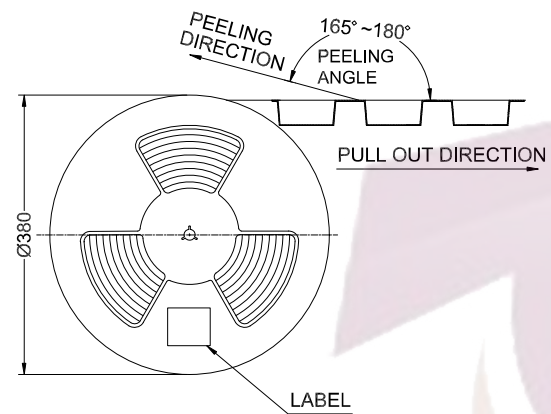
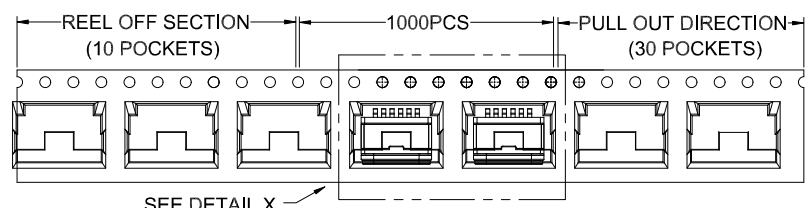


PART NAME	防水TYPE-C 6PIN SMT 半包型 外壳两脚插板带柱
PART NO.	TJ1306LSP100670B7

TOLERANCE UNLESS OTHERWISE SPECIFIED:	
X	±0.2
X.X	±0.15
X.XX	±0.10
X.XXX	±0.050

DRAWING:	Li	DATE:	2022.09.18	SCALE	SHEET	REV: A0
CHECK:	Chen	DATE:	2022.09.18	1:1	2/3	SIZE: A4
APPROVAL:	Yuan	DATE:	2022.09.18			

RoHS
Compliant



	REEL	CARTON
CONNECTOR (PCS)	1000	10000

Guangdong Tengjun Electronic Technology Co., Ltd

Website:

<https://www.tengjunconn.com>

TEL:

0769-23323869



PART NAME 防水TYPE-C 6PIN SMT 半包型 外壳两脚插板带柱-包装图

PART NO. TJ1306LSP100670B7

TOLERANCE UNLESS OTHERWISE SPECIFIED:
 X ±0.2
 X.X ±0.15
 X.XX ±0.10
 X.XXX ±0.050

DRAWING: Li
 CHECK: Chen
 APPROVAL: Yuan

DATE: 2022.09.18
 DATE: 2022.09.18
 DATE: 2022.09.18

SCALE 1:1

SHEET 3/3

REV:A0
 SIZE: A4