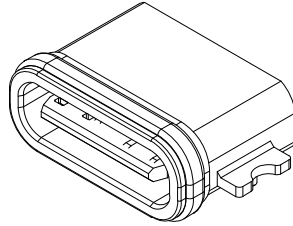
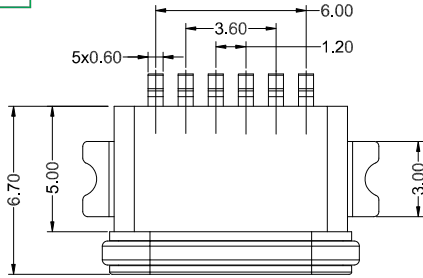


RoHS
Compliant



Ordering information:

TJ 13 06 LS P 00 0670 B 7
(1)(2)(3)(4)(5)(6) (7) (8)(9)

(1):Manufacturer TJ= TENGJUN

(2):line number

(3):Pin Number

(4):H=立式 L=卧式 F=沉板 C=侧式

D=插件 S=贴板 W=焊线

(5)shapet: P=平口, W=舌片外露

(6)定位柱: 1=带柱, 0=无柱

1=带弹, 0=无弹

(7)0670=6.7mm (L/H)

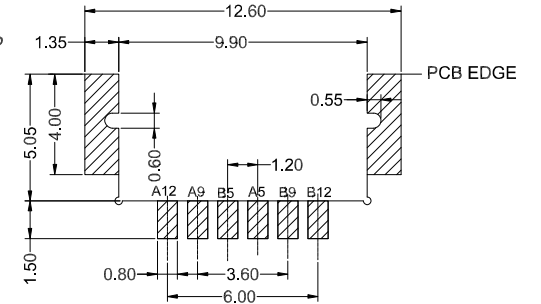
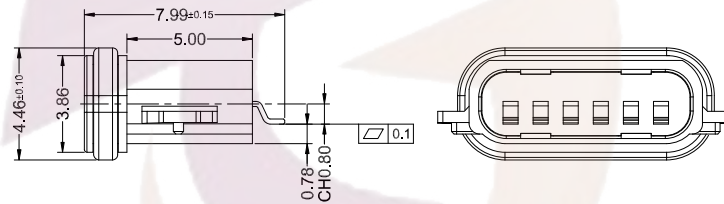
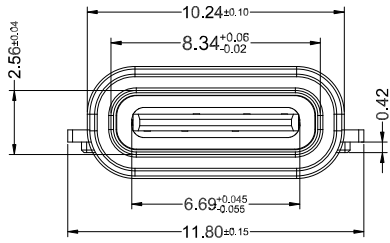
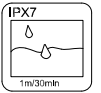
(8)胶芯颜色: 黑=B, 红=R, 绿=G, 蓝=L, 黄=Y, 橙=O, 粉=P

(9)Waterproof :7=IPX7, 8=IPX8, 0=not waterproof

(10)板上中心高度CH=1.5

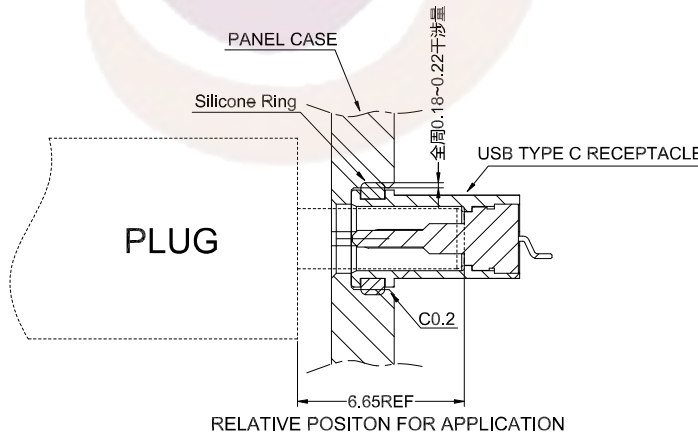
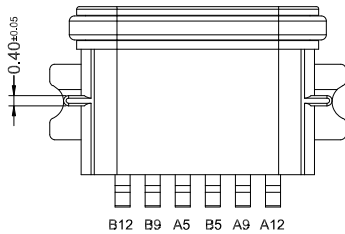
SPECIFICATION:

- CURRENT RATING: 3.0 A
- VOLTAGE RATING: 5.0 V
- VBUS & GND PINS AND OTHER PINS: 40mΩ/PIN MAX
SHIELD: 50mΩ/MAX
LLCR MAX. CHANGE OF ALL PINS: 10mΩ
- INSULATION RESISTANCE: 100MΩ MIN
- DIELECTRIC WITHSTAND VOLTAGE,AC 100V FOR 1MINUTE
- INSERTION FORCE: 0.5-2.0kgf
- UNMATING FORCE: 0.8-2.0kgf
- DURABILITY: 10000 CYCLES
- OPERATING TEMPERATURE: -25°C~+85°C
- THE PEAK TEMPERATURE ON THE BOARD SHALL BE MAINTAINED FOR 10 SECONDS AT 260°C
- WATERPROOF:IP67.



RECOMMENDED PCB LAYOUT

TOLERANCE:±0.05



RELATIVE POSITON FOR APPLICATION

A1	A2	A3	A4	A5	A6	A7	A8	A9	A10	A11	A12
				CC1				VBUS			GND
B12	B11	B10	B9	B8	B7	B6	B5	B4	B3	B2	B1
GND				VBUS			CC2				

1	SHELL	ZN ALLOY	NI PLATED
2	MID PLATE	STAINLESS STEEL	SUS304 NO PLATED
3	HOUSING	HIGH TEMPERATURE PLASTIC	LCP BLACK UL94V-0
4	CONTACT	COPPER ALLOY(C5191)	Au PLATING ON CONTACT AREA
5	RING	SILICON	
NO.	PARTS	MATERIAL	REMARKS

Guangdong Tengjun Electronic Technology Co., Ltd

Website:

<https://www.tengjunconn.com>

TEL:

0769-23323869



PART NAME

防水TYPE-C 6PIN 沉板0.8

PART NO.

TJ1306LSP000670B7

TOLERANCE UNLESS OTHERWISE SPECIFIED:
X ±0.2
X.X ±0.15
X.XX ±0.10
X.XXX ±0.050

DRAWING:

Li

DATE:

2022.09.18

SCALE

SHEET

REV:A0

CHECK:

Chen

DATE:

2022.09.18

1:1

1/2

SIZE: A4

APPROVAL:

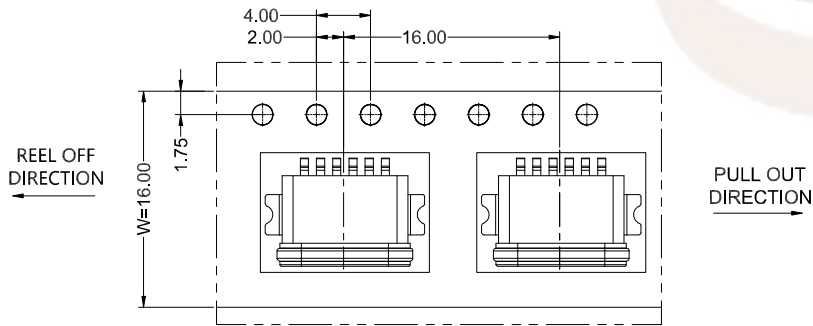
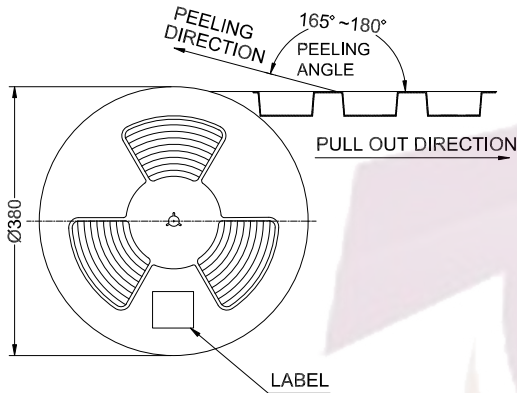
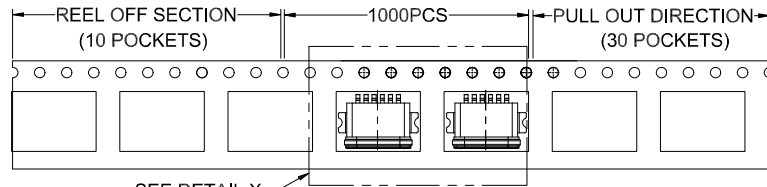
Yuan

DATE:

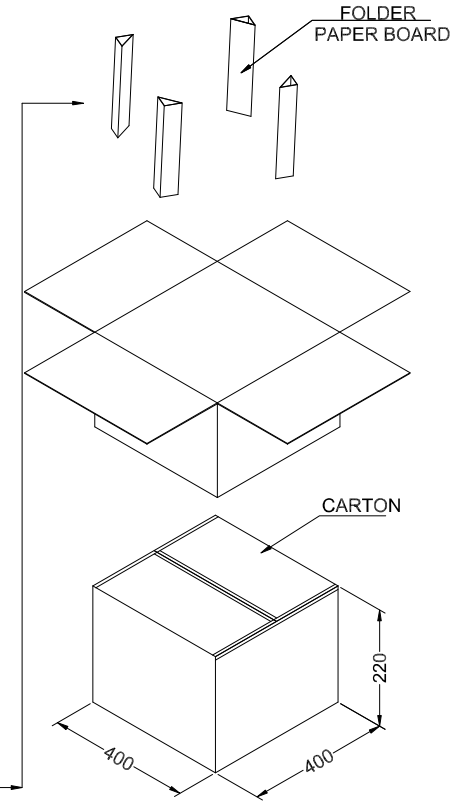
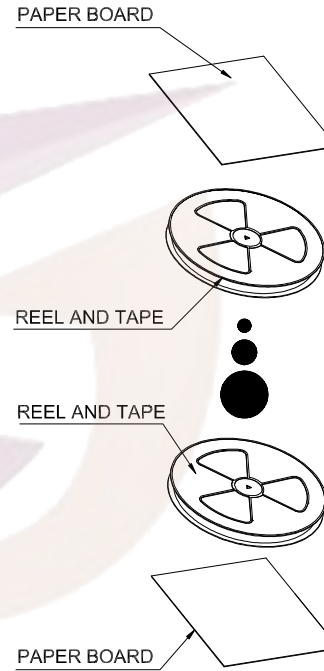
2022.09.18



RoHS
Compliant



DETAIL X



	REEL	CARTON
CONNECTOR (PCS)	1000	10000

Guangdong Tengjun Electronic Technology Co., Ltd

Website:

<https://www.tengjunconn.com>

TEL:

0769-23323869



PART NAME	防水TYPE-C 6PIN 沉板0.8 包装图
PART NO.	TJ1306LSP000670B7

TOLERANCE UNLESS OTHERWISE SPECIFIED:
 X ±0.2
 X.X ±0.15
 X.XX ±0.10
 X.XXX ±0.050

DRAWING:	Li	DATE:	2022.09.18	SCALE	SHEET	REV:A0
CHECK:	Chen	DATE:	2022.09.18	1:1	2/2	SIZE: A4
APPROVAL:	Yuan	DATE:	2022.09.18			