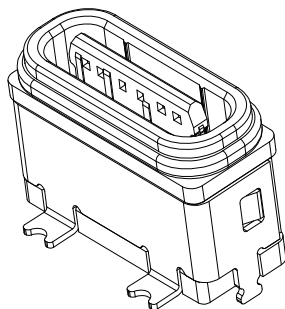
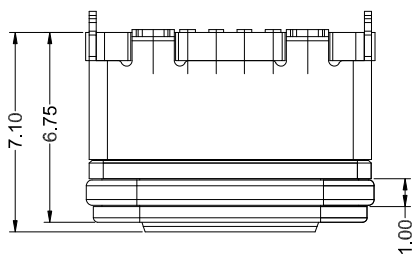


RoHS
Compliant



Ordering information:

TJ 13 06 HS W 00 0710 B 7
(1) (2)(3)(4)(5)(6) (7) (8)(9)

(1):Manufacturer TJ= TENGJUN

(2):line number

(3):Pin Number

(4):H= 立式 L= 卧式 F= 沉板 C= 侧式

D= 插件 S= 贴板 W= 焊线

(5)shapet: P= 平口, W= 舌片外露

(6)定位柱: 1=带柱, 0=无柱

1= 带弹, 0= 无弹

(7)0710=7.1mm (L/H)

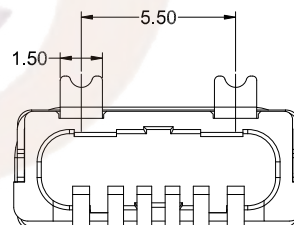
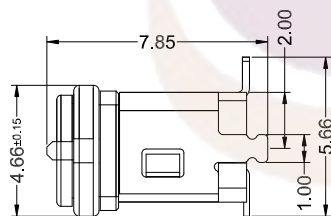
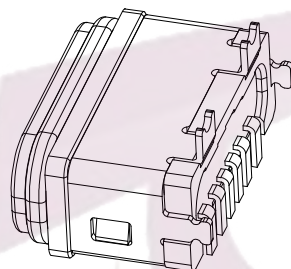
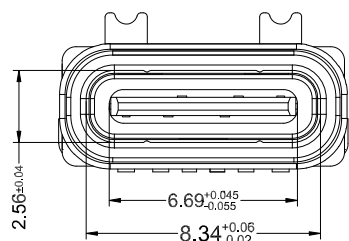
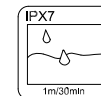
(8)胶芯颜色: 黑=B, 红=R, 绿=G, 蓝=L, 黄=Y, 橙=O, 粉=P

(9)Waterproof: 7=IPX7, 8=IPX8, 0=not waterproof

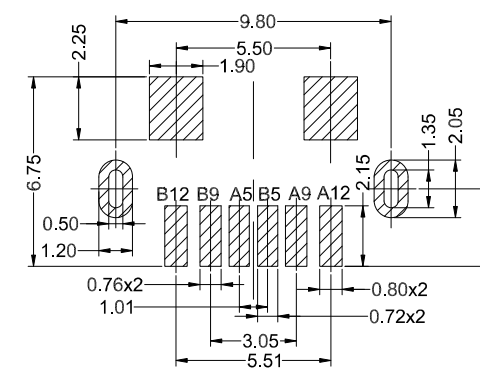
(10)板上中心高度CH=**

SPECIFICATION:

- 1.CURRENT RATING: 3.0 A
- 2.VOLTAGE RATING: 5.0 V
- 3.VBUS & GND PINS AND OTHER PINS: 40mΩ/PIN MAX SHIELD: 50mΩ/MAX
LLCR MAX. CHANGE OF ALL PINS: 10mΩ
- 4.INSULATION RESISTANCE: 100MΩ MIN
- 5.DIELECTRIC WITHSTAND VOLTAGE,AC 100V FOR 1MINUTE
- 6.INSERTION FORCE: 0.5~2.0kgf
- 7.UNMATING FORCE: 0.8~2.0kgf
- 8.DURABILITY: 10000 CYCLES
- 9.OPERATING TEMPERATURE: -25°C~+85°C
- 10.THE PEAK TEMPERATURE ON THE BOARD SHALL BE MAINTAINED FOR 10 SECONDS AT 260°C
11. WATERPROOF:IP67.

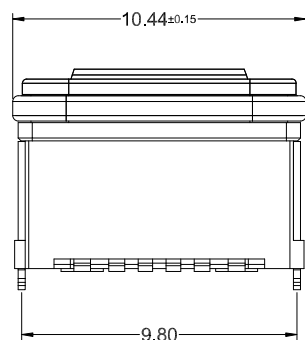


A12 A9 B5 A5 B5 B12



RECOMMENDED PCB LAYOUT

TOLERANCE:±0.05



A1	A2	A3	A4	A5	A6	A7	A8	A9	A10	A11	A12
				CC1				VBUS			GND
B12	B11	B10	B9	B8	B7	B6	B5	B4	B3	B2	B1
GND			VBUS				CC2				

1	SHELL	HIGH TEMPERATURE PLASTIC	PA46 BLACK UL94V-0
2	MID PLATE	STAINLESS STEEL	SUS304 NO PLATED
3	HOUSING	HIGH TEMPERATURE PLASTIC	PA9T BLACK UL94V-0
4	CONTACT	COPPER ALLOY(C5191)	Au PLATING ON CONTACT AREA
5	RING	SILICON	RED
6	OUT SHELL	STAINLESS STEEL	SUS304 NI PLATED
NO.	PARTS	MATERIAL	REMARKS

Guangdong Tengjun Electronic Technology Co., Ltd

Website:

<https://www.tengjunconn.com>

TEL:

0769-23323869



PART NAME

防水TYPE-C 6PIN 立贴H6.8
2插2贴

PART NO.

TJ1306HSW000710B7

TOLERANCE UNLESS OTHERWISE SPECIFIED:
X ±0.2
X.X ±0.15
X.XX ±0.10
X.XXX ±0.050

DRAWING:

Li

DATE:

2022.09.18

SCALE

SHEET

REV:A0

CHECK:

Chen

DATE:

2022.09.18

1:1

1/2

SIZE: A4

APPROVAL:

Yuan

DATE:

2022.09.18



F

E

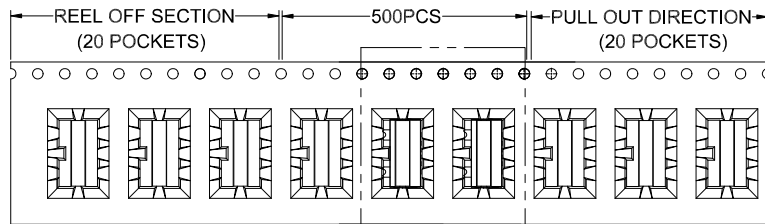
D

C

B

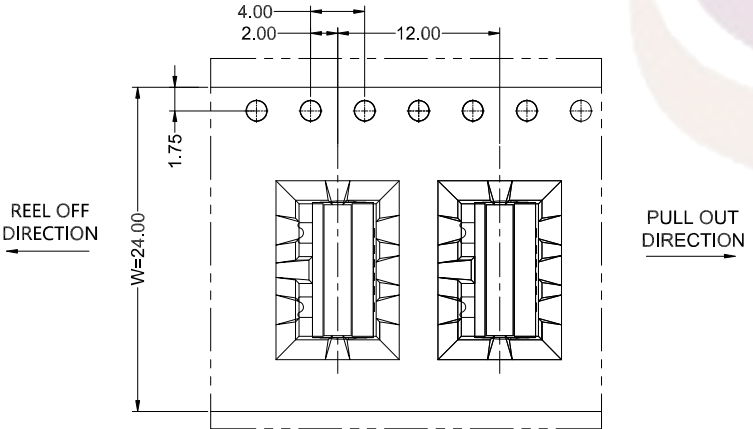
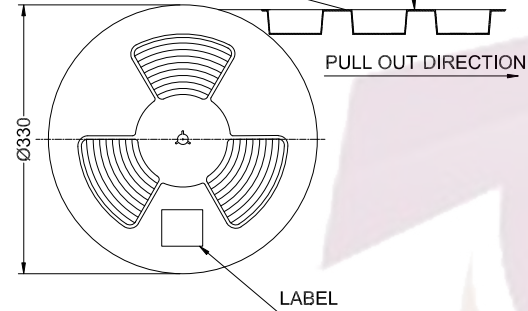
A

RoHS
Compliant

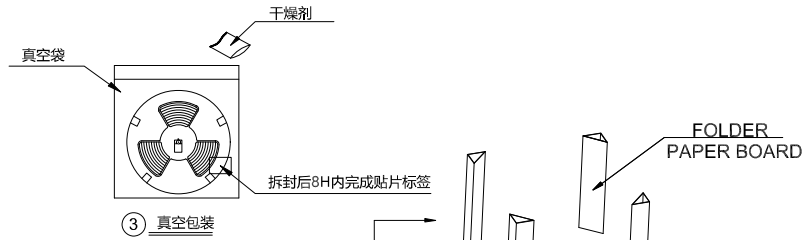


SEE DETAIL X

PEELING DIRECTION
165°~180°
PEELING ANGLE

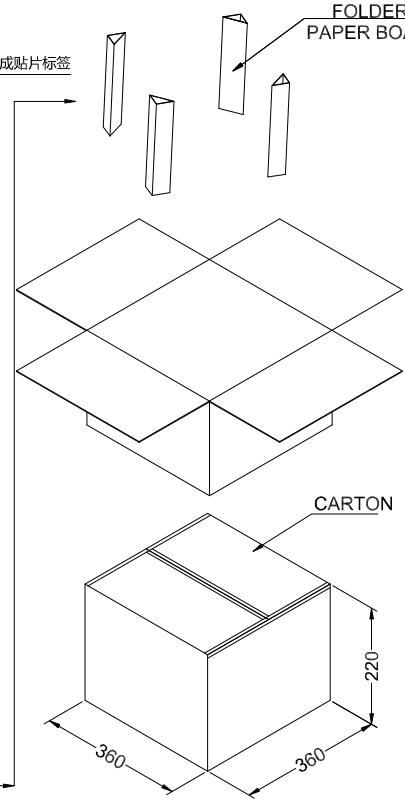
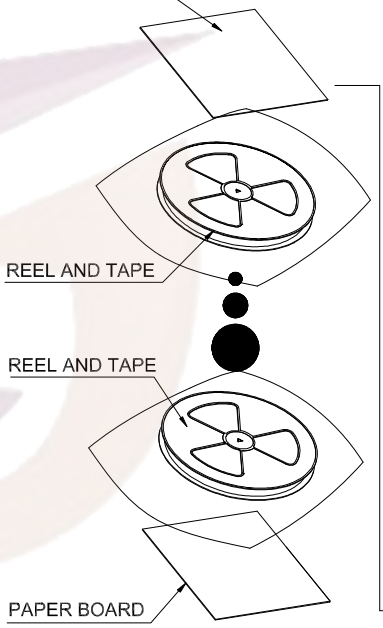


DETAIL X



③ 真空包装

PAPER BOARD 每盘真空包装(注意: 不能将载带压变形)



	REEL	CARTON
CONNECTOR (PCS)	500	3500

注意事项: 产品为防水产品, 请在开封后8小时内用完

Guangdong Tengjun Electronic Technology Co., Ltd Website: <https://www.tengjunconn.com> TEL: 0769-23323869



PART NAME 防水TYPE-C 6PIN 立贴H6.8 2插2贴-包装图
PART NO. TJ1306HSW000710B7

TOLERANCE UNLESS OTHERWISE SPECIFIED:
X ±0.2
X.X ±0.15
X.XX ±0.10
X.XXX ±0.050

DRAWING: Li DATE: 2022.09.18 SCALE SHEET REV:A0
CHECK: Chen DATE: 2022.09.18 1:1 2/2 SIZE: A4
APPROVAL: Yuan DATE: 2022.09.18