

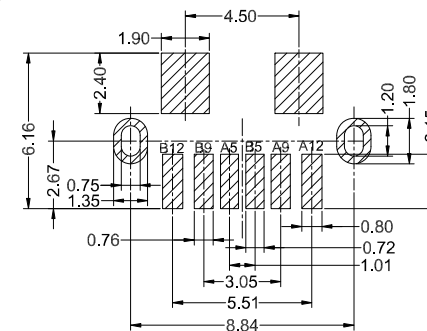
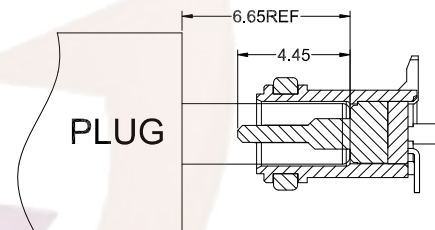
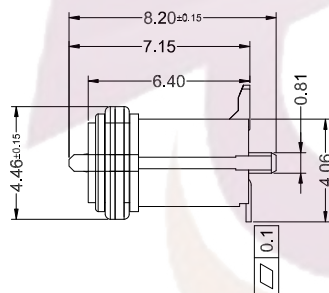
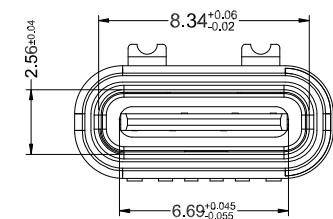
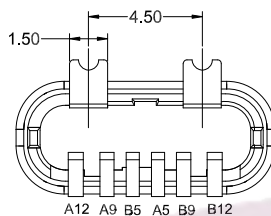
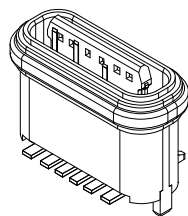
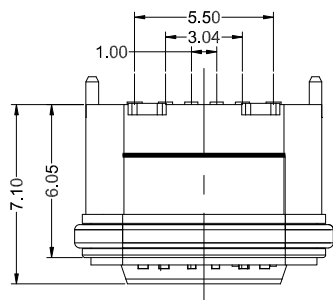
RoHS
Compliant



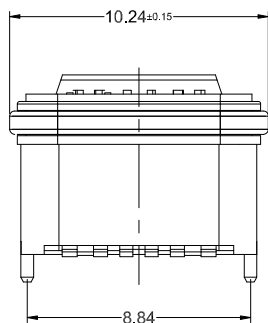
Ordering information:
TJ 13 06 LS W 00 0710 B 7
(1) (2) (3) (4) (5) (6) (7) (8) (9)

- SPECIFICATION:**
- CURRENT RATING: 3.0 A
 - VOLTAGE RATING: 5.0 V
 - VBUS & GND PINS AND OTHER PINS: 40mΩ/PIN MAX
SHIELD: 50mΩ/MAX
LLCR MAX. CHANGE OF ALL PINS: 10mΩ
 - INSULATION RESISTANCE: 100MΩ MIN
 - DIELECTRIC WITHSTAND VOLTAGE, AC 100V FOR 1MINUTE
 - INSERTION FORCE: 0.5~2.0kgf
 - UNMATING FORCE: 0.8~2.0kgf
 - DURABILITY: 10000 CYCLES
 - OPERATING TEMPERATURE: -25°C~+85°C
 - THE PEAK TEMPERATURE ON THE BOARD SHALL BE MAINTAINED FOR 10 SECONDS AT 260°C
 - WATERPROOF: IP67.

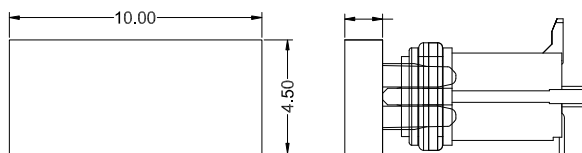
- (1): Manufacture rer TJ= TENGJUN
(2): line numberr
(3): Pin Number
(4): H= 立式 L= 卧式 F= 沉板 C= 侧式
D= 插件 S= 贴板 W= 焊线
(5) shapet: P= 平口, W= 舌片外露
(6) 定位柱: 1= 带柱, 0= 无柱
1= 带弹, 0= 无弹
(7) 0710=7.1mm (L/H)
(8) 胶芯颜色: 黑=B, 红=R, 绿=G, 蓝=L, 黄=Y, 橙=O, 粉=P
(9) Waterproof: 7=IPX7, 8=IPX8, 0=not waterproof
(10) 板上中心高度 CH=**



RECOMMENDED PCB LAYOUT
TOLERANCE: ±0.05



Cap dimensions



A1	A2	A3	A4	A5	A6	A7	A8	A9	A10	A11	A12
				CC1				VBUS			GND
B12	B11	B10	B9	B8	B7	B6	B5	B4	B3	B2	B1
GND			VBUS				CC2				

1	SHELL	ZN ALLOY	Ni PLATED
2	MID PLATE	STAINLESS STEEL	SUS304 NO PLATED
3	HOUSING	HIGH TEMPERATURE PLASTIC	LCP BLACK UL94V-0
4	CONTACT	COPPER ALLOY(C5191)	Au PLATING ON CONTACT AREA
5	RING	SILICON	/
NO.	PARTS	MATERIAL	REMARKS

Guangdong Tengjun Electronic Technology Co., Ltd

Website:

<https://www.tengjunconn.com>

TEL:

0769-23323869



PART NAME

防水TYPE-C 6PIN 立贴 L7.1
2插2贴

PART NO.

TJ1306LSW000710B7

TOLERANCE UNLESS OTHERWISE SPECIFIED:
X ±0.2
X.X ±0.15
X.XX ±0.10
X.XXX ±0.050

DRAWING:

Li

DATE:

2022.09.18

SCALE

SHEET

REV:A0

CHECK:

Chen

DATE:

2022.09.18

1:1

1/2

SIZE: A4

APPROVAL:

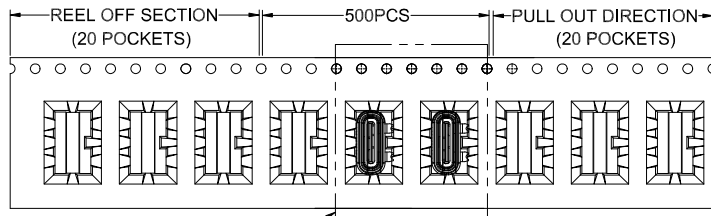
Yuan

DATE:

2022.09.18



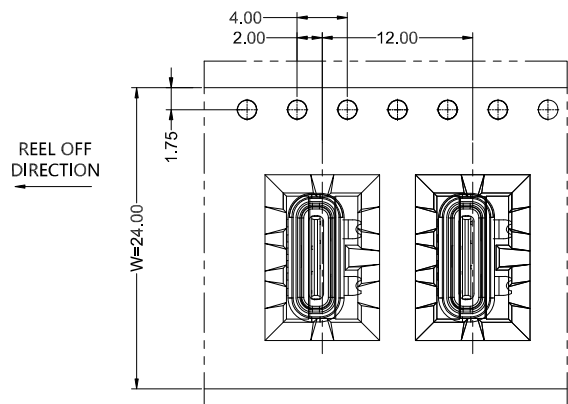
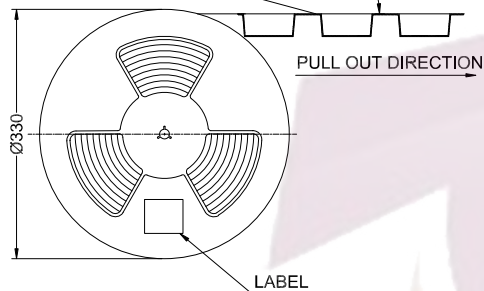
RoHS
Compliant



SEE DETAIL X

PEELING DIRECTION

165°~180°
PEELING ANGLE



DETAIL X

PAPER BOARD

REEL AND TAPE

REEL AND TAPE

PAPER BOARD

FOLDER
PAPER BOARD

CARTON

	REEL	CARTON
CONNECTOR (PCS)	500	3500

Guangdong Tengjun Electronic Technology Co., Ltd

Website:

<https://www.tengjunconn.com>

TEL:

0769-23323869



PART NAME

防水TYPE-C 6PIN 立贴 L7.1
2插2贴

PART NO.

TJ1306LSW000710B7

TOLERANCE UNLESS OTHERWISE SPECIFIED:
X ±0.2
X.X ±0.15
X.XX ±0.10
X.XXX ±0.050

DRAWING:

Li

DATE:

2022.09.18

SCALE

SHEET

REV:A0

CHECK:

Chen

DATE:

2022.09.18

1:1

2/2

SIZE: A4

APPROVAL:

Yuan

DATE:

2022.09.18

