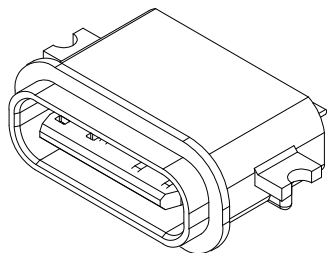
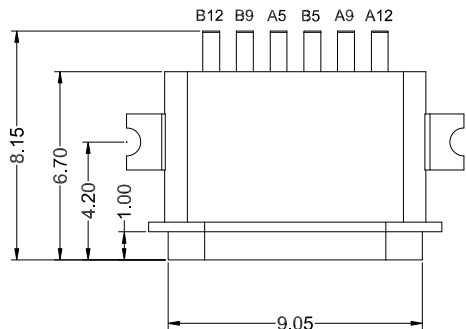


RoHS  
Compliant



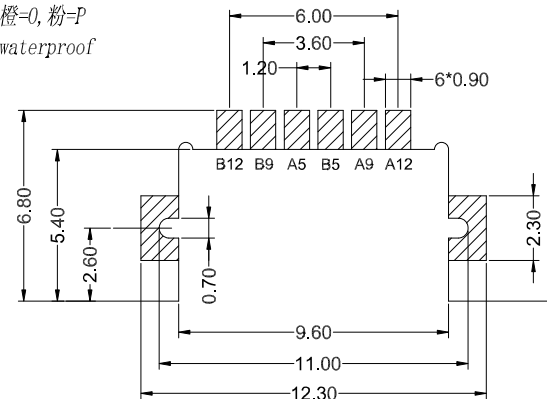
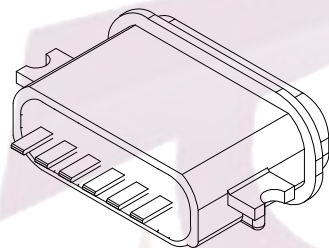
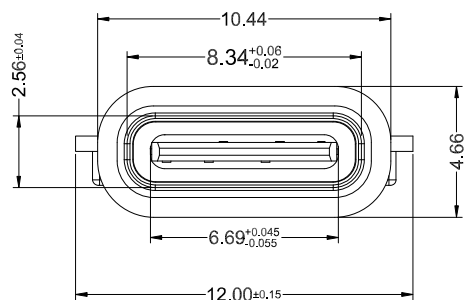
Ordering information:

TJ 13 06 FS P 00 0670 B 6  
(1) (2) (3) (4) (5) (6) (7) (8) (9)

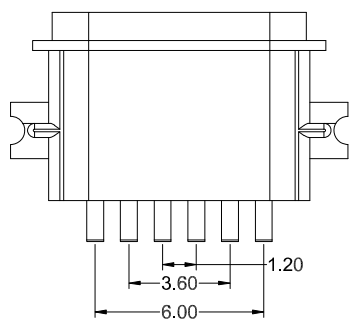
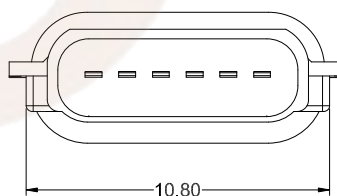
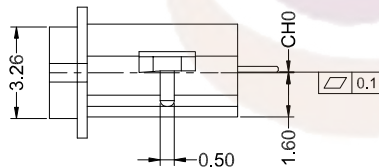
- (1): Manufacturer TJ= TENGJUN
- (2): line numberr
- (3): Pin Number
- (4): H=立式 L=卧式 F=沉板 C=侧式  
D=插件 S=贴板 W=焊线
- (5) shapet: P=平口, W=舌片外露
- (6) 定位柱: 1=带柱, 0=无柱  
1=带弹, 0=无弹
- (7) 0670=6.7mm (L/H)
- (8) 胶芯颜色: 黑=B, 红=R, 绿=G, 蓝=L, 黄=Y, 橙=O, 粉=P
- (9) Waterproof :7=IPX7, 8=IPX8, 0=not waterproof
- (10) 板上中心高度CH=1.6

SPECIFICATION:

- 1.CURRENT RATING: 3.0 A
- 2.VOLTAGE RATING: 5.0 V
- 3.VBUS & GND PINS AND OTHER PINS: 40mΩ/PIN MAX  
SHIELD: 50mΩ/MAX  
LLCR MAX. CHANGE OF ALL PINS: 10mΩ
- 4.INSULATION RESISTANCE: 100MΩ MIN
- 5.DIELECTRIC WITHSTAND VOLTAGE,AC 100V FOR 1MINUTE
- 6.INSERTION FORCE: 0.5~2.0kgf
- 7.UNMATING FORCE: 0.8~2.0kgf
- 8.DURABILITY: 10000 CYCLES
- 9.OPERATING TEMPERATURE: -25°C~+85°C
- 10.THE PEAK TEMPERATURE ON THE BOARD SHALL BE MAINTAINED FOR 10 SECONDS AT 260°C
11. WATERPROOF:IP66.



RECOMMENDED PCB LAYOUT  
TOLERANCE:±0.05



A1	A2	A3	A4	A5	A6	A7	A8	A9	A10	A11	A12
				CC1				VBUS			GND
B12	B11	B10	B9	B8	B7	B6	B5	B4	B3	B2	B1
GND			VBUS				CC2				

1	SHELL	ZN ALLOY	Ni PLATED
2	MID PLATE	STAINLESS STEEL	SUS304 NO PLATED
3	HOUSING	HIGH TEMPERATURE PLASTIC	LCP BLACK UL94V-0
4	CONTACT	COPPER ALLOY(C5191)	Au PLATING ON CONTACT AREA
5	RING	SILICON	
NO.	PARTS	MATERIAL	REMARKS

Guangdong Tengjun Electronic Technology Co., Ltd

Website:

<https://www.tengjunconn.com>

TEL:

0769-23323869



PART NAME

防水TYPE-C 6PIN 沉板1.6 有钢片

PART NO.

TJ1306FSP000670B6

TOLERANCE UNLESS OTHERWISE SPECIFIED:  
X ±0.2  
X.X ±0.15  
X.XX ±0.10  
X.XXX ±0.050

DRAWING:

Li

DATE:

2022.09.18

SCALE

SHEET

REV:A0

CHECK:

Chen

DATE:

2022.09.18

1:1

1/2

SIZE: A4

APPROVAL:

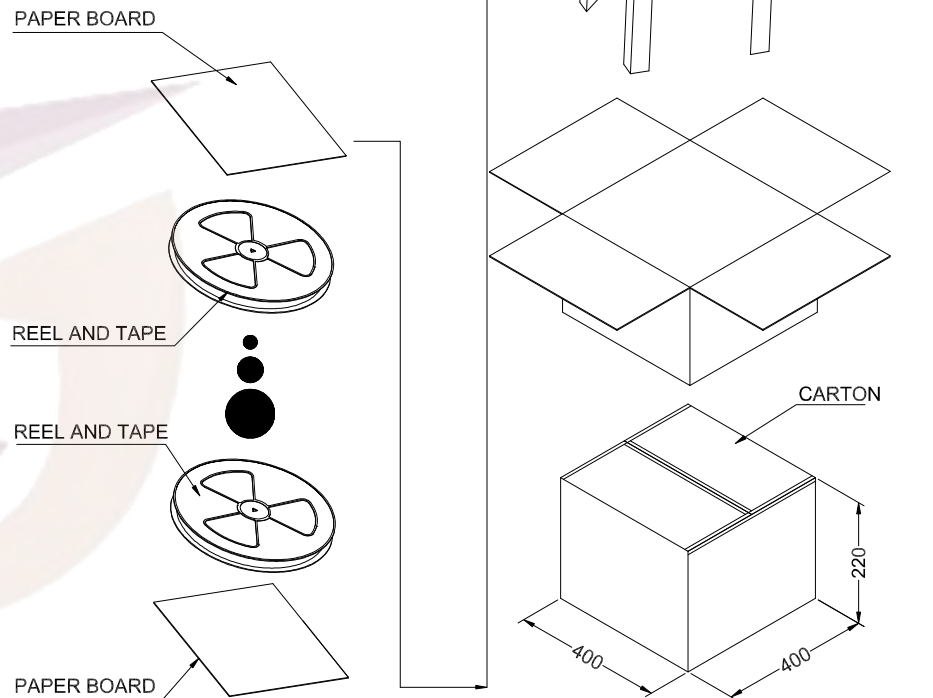
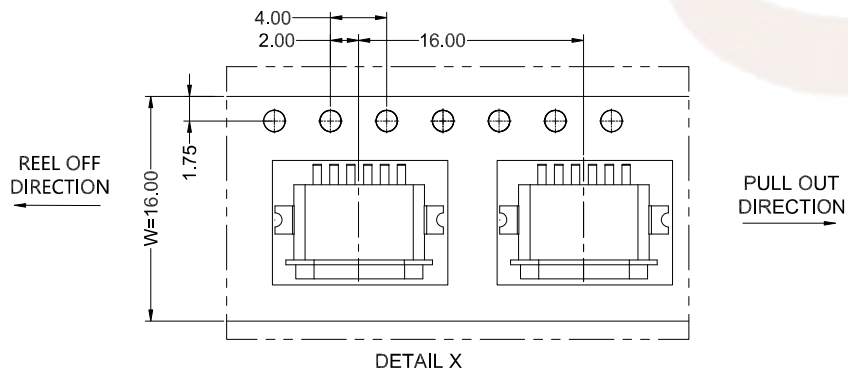
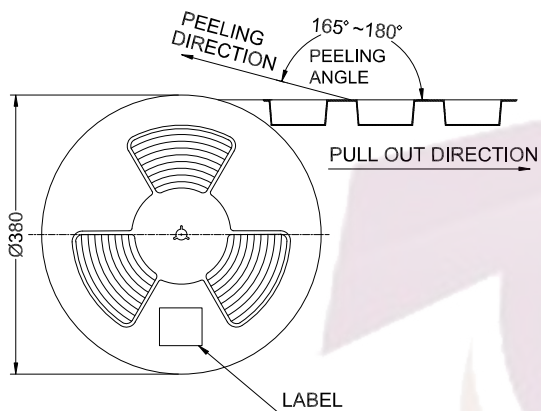
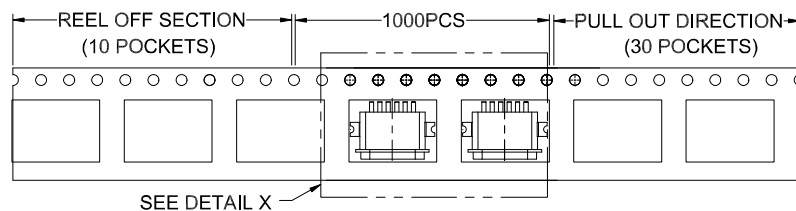
Yuan

DATE:

2022.09.18



RoHS  
Compliant



	REEL	CARTON
CONNECTOR (PCS)	1000	10000

Guangdong Tengjun Electronic Technology Co., Ltd

Website:

<https://www.tengjunconn.com>

TEL:

0769-23323869



PART NAME

防水TYPE-C 6PIN 沉板1.6 有钢片  
包装图

PART NO.

TJ1306FSP000670B6

TOLERANCE UNLESS OTHERWISE SPECIFIED:

X ±0.2

X.X ±0.15

X.XX ±0.10

X.XXX ±0.050

DRAWING:

Li

DATE:

2022.09.18

CHECK:

Chen

DATE:

2022.09.18

APPROVAL:

Yuan

DATE:

2022.09.18

SCALE

1:1

SHEET

2/2

REV:A0

SIZE:A4

